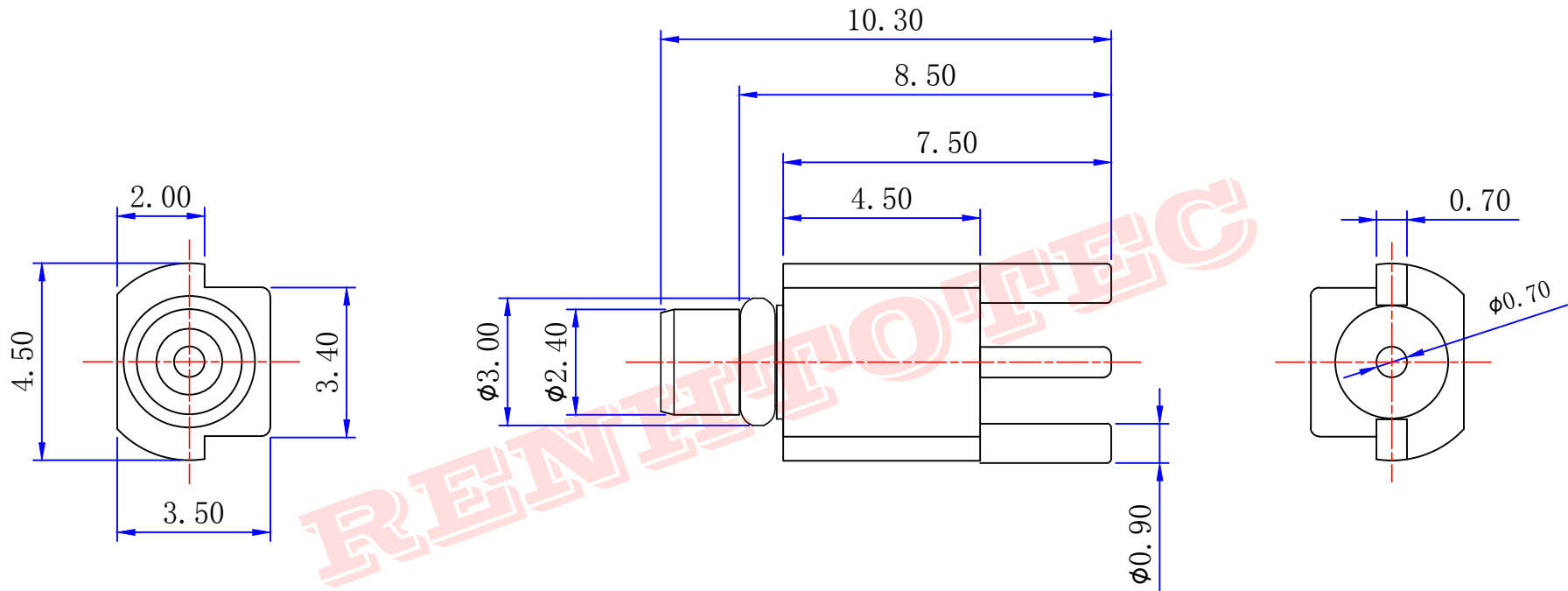
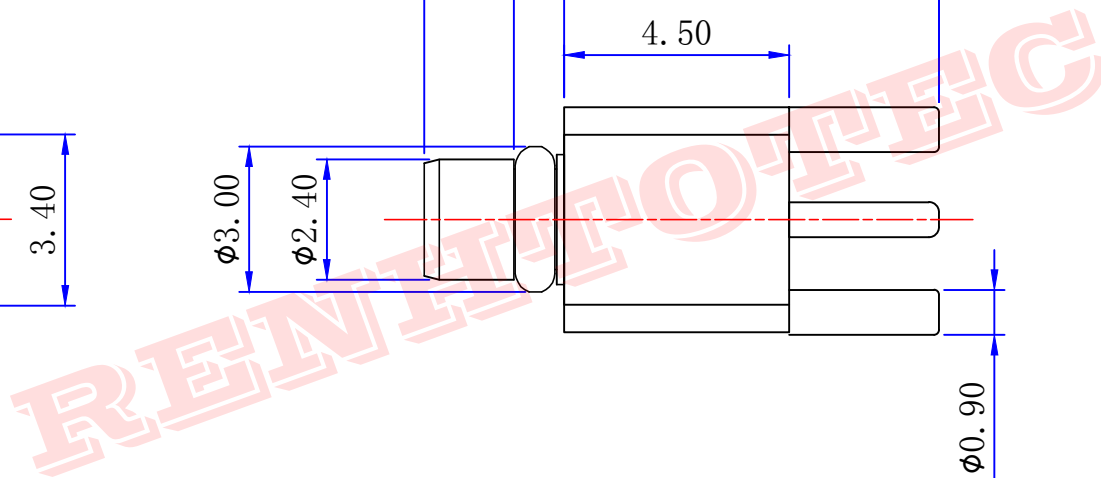




Product NO.		RHT-631-1004			
ISSUE	DESCRIPTION	DWN	DATE	APPROVEN	
First	First issue	chen	2017/09/25	JIM. KING	



Specifications
 Impedance: 50 Ohms
 Frequency Range: 0~6Ghz
 VSWR: 1.25max
 Working Voltage: <170 Vrms @ sea level
 Insulation Resistance: 5000 Ohms min
 Temperature Range: -65°C TO +155°C
 Drawings products are in line with ROHS standards



NO	DESCRIPTION	MATERIAL	FINISH	QTY
3	PIN	BRASS	GOLD	1
2	INSULATOR	TEFLON	NONE	1
1	BODY	BRASS	GOLD	1

-TOLERANCES- UNLESS OTHERWISE SPECIFIED	RENHOTECH GROUP				
	PART DESCRIPTION: MMCX PLUG PCB MOUNT				
UNLESS OTHERWISE SPECIFIED TOLERANCES FOR MILLIMETERS ARE: 0.5 - 8mm ± 0.10mm 8 - 30mm ± 0.15mm 30 - 120mm ± 0.20mm	Appr: JIM. KING	P/N: RHT-631-1004			
Check:	Date	Scale	Unit	Type	Page
Draw: chen	2019.09.25	Free	MM	Z	1/1