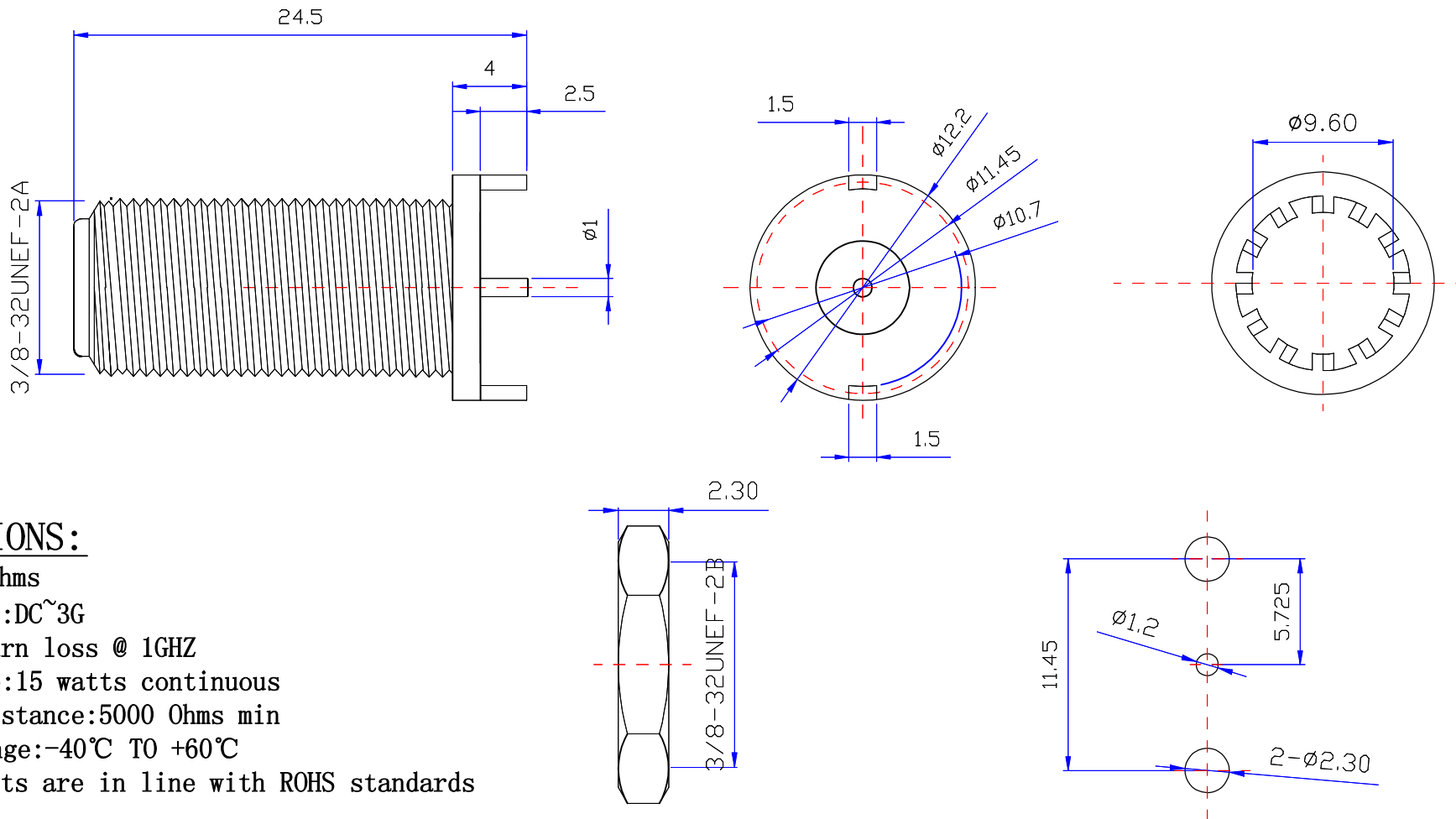




Product NO.	Renhotec-611-0017			
REV	DESCRIPTION	DWN	DATE	APPROVEN
A	First issue	Mr. chen	2016/3/16	John kine



SPECIFICATIONS:

Impedance: 75 Ohms
 Frequency Range: DC~3G
 VSWR: 30dB Return loss @ 1GHZ
 Working Voltage: 15 watts continuous
 Insulation Resistance: 5000 Ohms min
 Temperature Range: -40°C TO +60°C
 Drawings products are in line with ROHS standards

1	Body	BARSS	NI:80-120u ^m	NOTE:	Tolerance	0-6	±0.10	 www.renhotec.com	
2	Insulator	PP	White			6-30	±0.20		
3	Center contact	Phosphor	TIN:80-100u ^m			30-120	±0.30		
4	Washer	Iron	NI:80-120u ^m			Angular	±2°		
5	Nut	Zinc	NI:80-120u ^m						
6				DRAWN	2016/03/	View		Name: F Jack STRAIGHT PCB MOUNT	
7				Zelin. Zhang	16				
8				CHECKED		UNIT	MM	SIZE	Product NO. RENHOTEC-611-0017
9						SCALE	1:1	DateTime	2016/3/16
10	Component Number	Material	Finish	APPROVALS	16/03.2016	DATE	2016/3/16	CAD FILE	D/company drawings/BD
				John Kine					SHEET: 1 OF 1