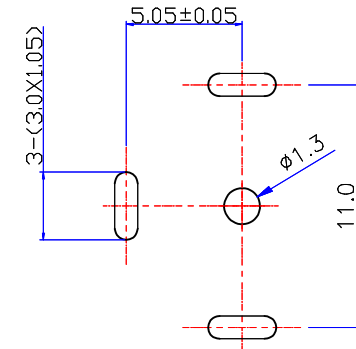
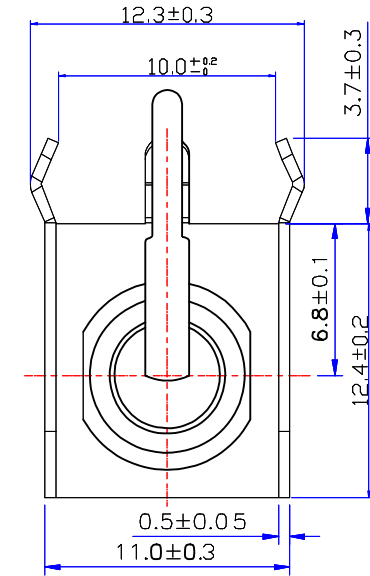
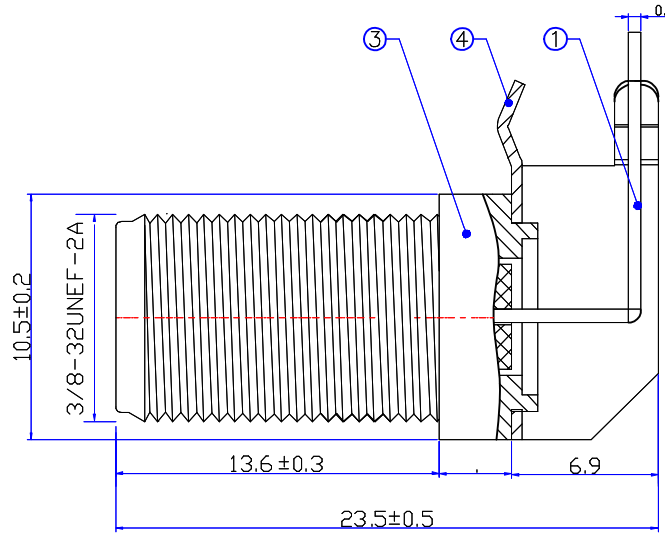
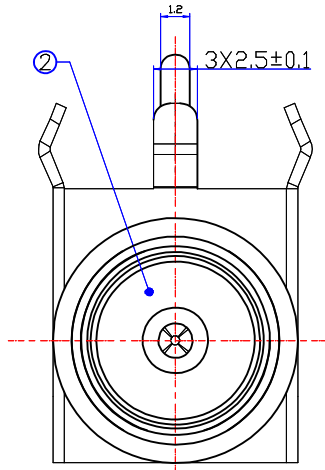




Product NO.	Renhotec-611-0007			
REV	DESCRIPTION	DWN	DATE	APPROVEN
A	First issue	Mr. CHEN	2016/3/12	John kine



ecommended P.C.B. Layoue

Specification:

VSWR:1.3MAX
 Frequency range:DC~3G
 Working Voltage:500V rms @ sea level
 Insulation resistance:5000 Ohms min
 Temperature range:-55℃ TO +155℃
 Relative temperature:≤95%(40° C±2° C)
 Drawings products are in line with ROHS standards.

1	BODY	Zinc	NICKEL	1
2	CONTACT	Brass	Tin plating	1
3	Insulator	POM		2
4	Nut	Brass	Tin plating	1
5				
6				
7				
8				
9				
10				
NO	Component Number	Material	Finish	QTY

NOTE:	
DRAWN	2016/03/12
Zelin.Zhang	
CHECKED	
APPROVALS	12/03.2016
John Kine	

Tolerance	0-6 ±0.10 6-30 ±0.20 30-120 ±0.30 Angular ±2°
View	
UNIT	MM
SCALE	1:1



RENHOTEC GROUP

Name: F Jack PCB CONNECTOR			
SIZE	Product NO. RENHOTEC-611-0007	REV	
A		B	
DateTime	2016/3/12	CAD FILE	D/company drawings/BD
		SHEET: 1 OF 1	