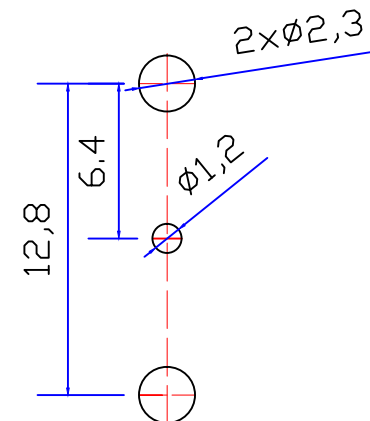
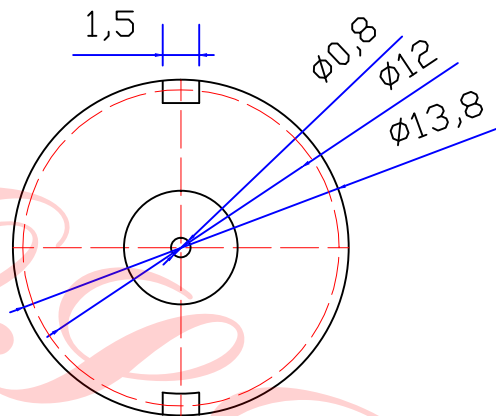
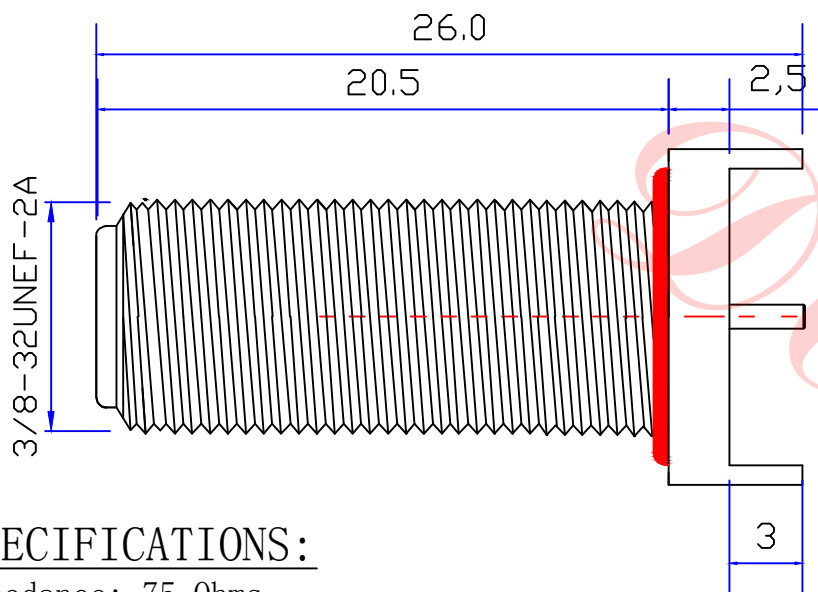




Product NO.		DOSIN-803-0261		
REV	DESCRIPTION	DWN	DATE	APPROVEN
A	First issue	Mr. CHEN	2017/5/25	John kine
B				



PCB

SPECIFICATIONS:

Impedance: 75 Ohms
 Frequency Range: DC~3G
 VSWR: 30dB Return loss @ 1GHZ
 Working Voltage: 15 watts continuous
 Insulation Resistance: 5000 Ohms min
 Temperature Range: -65°C TO +165°C
 Drawings products are in line with ROHS standards

1	Body	Brass	NICKEL
2	Insulator	PP	White
3	CONTACT PIN	BRASS	GOLD
4	GASKET	SILICONE	RED
5			
6			
7			
8			
9			
10			
NO	Component Number	Material	Finish

NOTE:		Tolerance	X.	±0.15
DRAWN			X.X	±0.10
Zelin. CHEN		View	X.XX	±0.05
CHECKED			Angular	±5°
APPROVALS		UNIT	MM	
John		SCALE	1:1	

Dosin Industrial (H.K) Co., Ltd
 东莞市德索五金电子制品有限公司
Dosin Hardware Electronics Co., Ltd

E-mail: dosin2005@163.com
 dosin2005@dosin-china.com
 Web: http://www.dosinconn.com
 TEL: (0086) 769-81153906
 FAX: (0086) 769-81875836

Name: **F JACK CONNECTOR**

SIZE	Product NO.	REV
A	DOSIN-803-0261	B

Date/Time: 2017/05/25
 CAD FILE: H/company drawings/BD
 SHEET: 1 OF 1