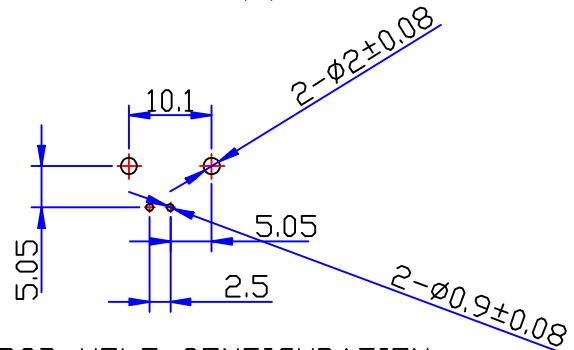
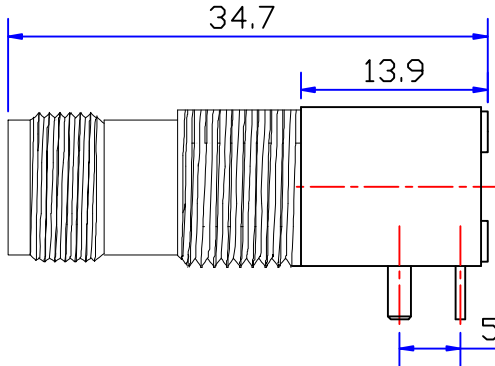
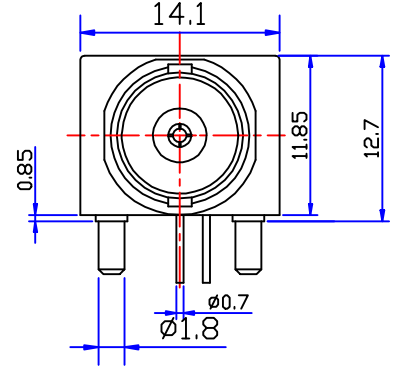
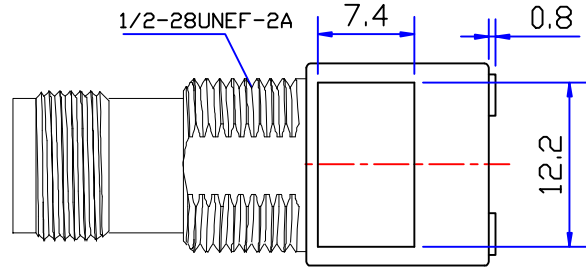
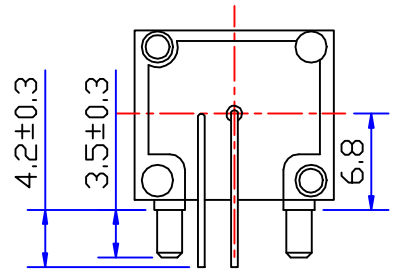
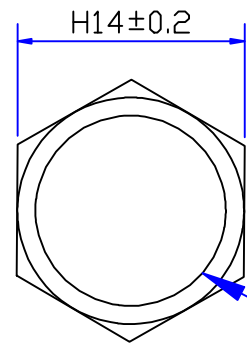
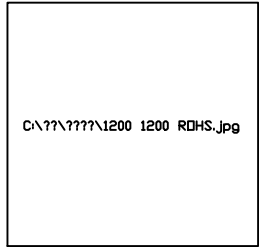
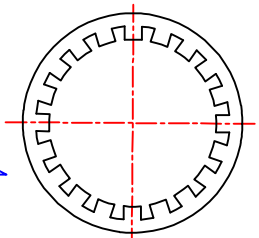


Product NO.		DOSIN-802-0046		
REV	DESCRIPTION	DWN	DATE	APPROVEN
A	First issue	Mr. CHEN	2016/07/21	John kine
B				



1/2-28UNEF-2A



SPECIFICATIONS:

- Impedance: 50 Ohms
- Frequency Range: DC~6G
- VSWR: 1.3max
- Working Voltage: 500v RMS @ SEA level
- Insulation Resistance: 5000 Ohms min
- Temperature Range: -55°C TO +155°C
- Drawings products are in line with ROHS standards

PCB HOLE CONFIGURATION
RECOMMENDED PANEL CUTOUTS

1	Body	Zinc	NI:80-120u"
2	Contact pin	Beryllium copper	Gold:1-1.5u"
3	Insulation	PCM	None
4	Gasket	TE	NI:80-120u"
5	NUT	Brass	NI:80-120u"
6			
7			
8			
9			
10			
NO	Component Number	Material	Finish

NOTE:	
DRAWN	Zelin. CHEN
CHECKED	
APPROVALS	

Dosin Industrial (HK) Co. Ltd 东莞市德索五金电子制品有限公司 Dosin Hardware Electronics Co., Ltd		E-mail: dosin2006@163.com dosin2006@dosin-china.com Web: http://www.dosinconn.com TEL: (0086) 769-81153906 FAX: (0086) 769-81875836	
Name: TNC R/A PCB JACK CONNECTOR			
SIZE	Product NO.	REV	
A	DOSIN-802-0046	A	
DateTime	CAD FILE	SHEET: 1 OF 1	
2016/07/21	H/company drawings/BD		

Tolerance	X ±0.15
	X.X ±0.10
	X.XX ±0.05
	Angular ±5°
View	
UNIT	MM
SCALE	1:1