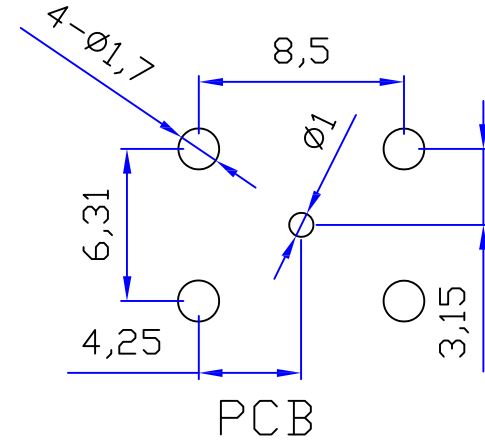
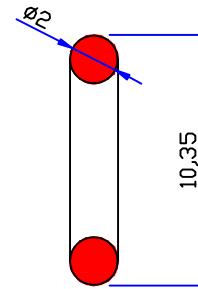
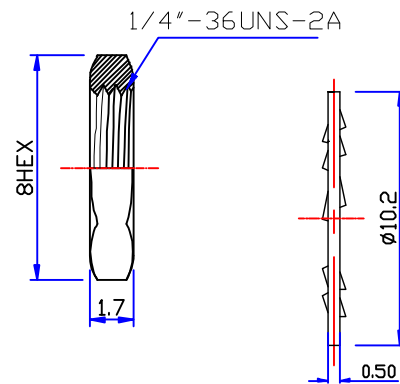
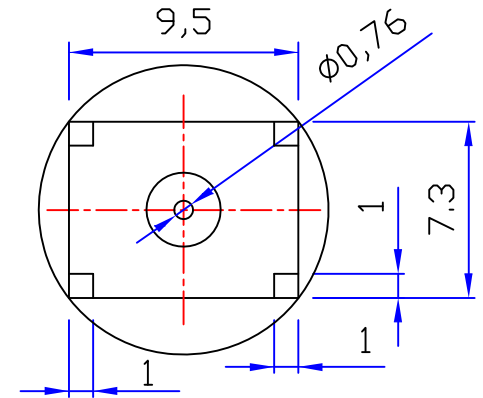
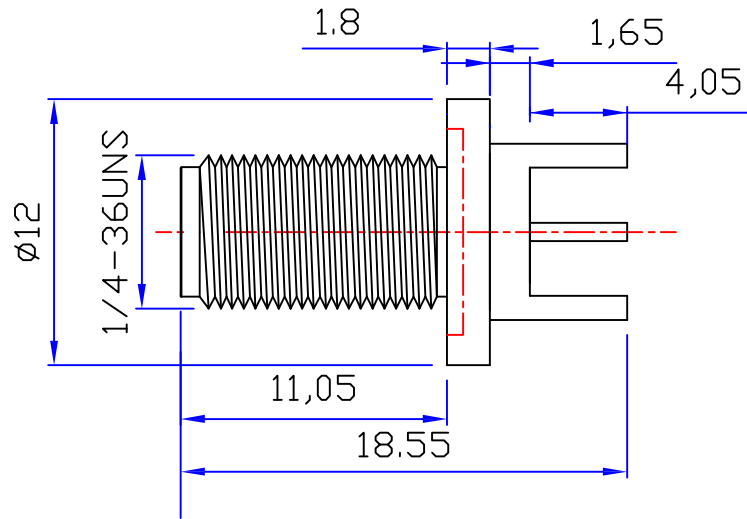




Product NO.		RHT-612-0326		
ISSUE	DESCRIPTION	DWN	DATE	APPROVEN
A	First issue	SAM	2016/10/07	JIM. KING



Specifications:
 IMPEDANCE: 50 Ohms
 Frequency range: 0~6GHZ
 VSWR: 1.5MAX
 Working voltage: 500V rms @ sea level
 Insulation resistance: 5000 Ohms min
 Temperature range: -55°C TO +155°C
 Relative temperature: ≤95%(40° C±2° C)

6	0-Ring	The Silicone	RED	1
5	Nut	BRASS	GOLD	1
4	Wasger	BRASS	GOLD	1
3	Center contact	BRASS	GOLD	1
2	INSULATOR	TEFLON	WHITE	1
1	BODY	BRASS	GOLD	1
NO	DESCRIPTION	MATERIAL	FINISH	QTY

-TOLERANCES- UNLESS OTHERWISE SPECIFIED UNLESS OTHERWISE SPECIFIED TOLERANCES FOR MILLIMETERS ARE: 0.5 - 8mm ± 0.15mm 8 - 30mm ± 0.20mm 30 - 120mm ± 0.30mm	 www.renhotec.com	RENHOTEC GROUP PART DESCRIPTION: SMA JACK EDGE MOUNT CONNECTOR				
	Appr: JIM. KING Check: Draw: Gavin	P/N: RHT-612-0326 Date: 2016. 10. 07	Scale: Free	Unit: MM	Type: Z	Page: 1/1