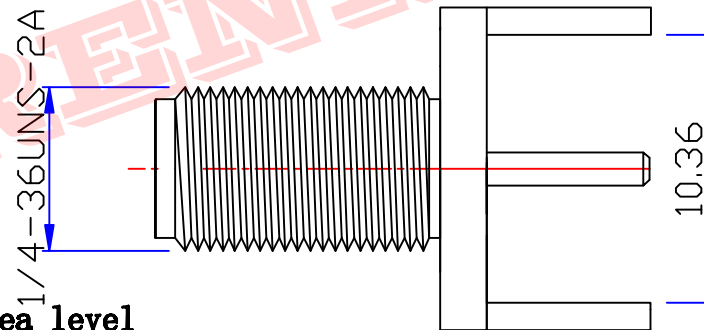
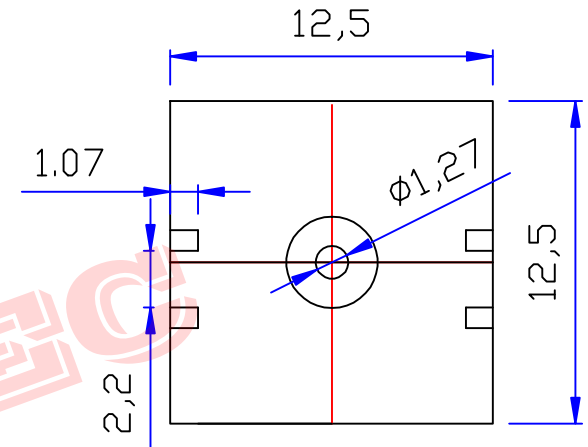
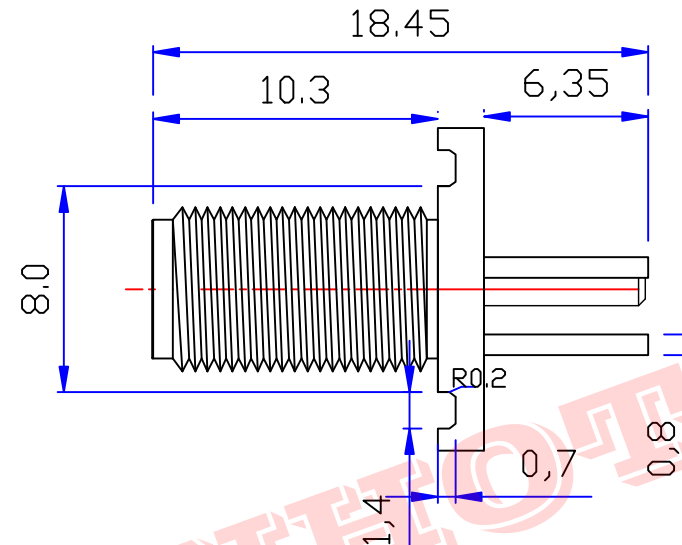




Product NO.		RHT-612-0112			
REV	DESCRIPTION	DWN	DATE	APPROVEN	
A	First issue	CHEN	2018/02/24	JIM. KING	



Specifications:

IMPEDANCE: 50 Ohms
Frequency range: 0~6GHZ
VSWR: 1.5MAX
Working voltage: 500V rms @ sea level
Insulation resistance: 5000 Ohms min
Temperature range: -65°C TO +165°C
Relative temperature: ≤95%(40° C±2° C)

1	Body	Brass	GOLD
2	Insulator	TEFLON	White
3	Center contact	Brass	GOLD
4			
5			
6			
NO	Component Number	Material	Finish

-TOLERANCES- UNLESS OTHERWISE SPECIFIED		RENHOTEC GROUP	
		Title: SMA JACK CONNECTOR	
0. ±15	0.° ±3.0°	Appd:	P/N: RHT-612-0112
0.0 ±1.0	0.0° ±2.5°	Check: Xiong Tan	Date
0.00 ±0.05	0.00° ±2.0°	Draw: Dwen	Scale
		2018.02.24	Unit
		Free	Type
		MM	Page
		Z	1/1