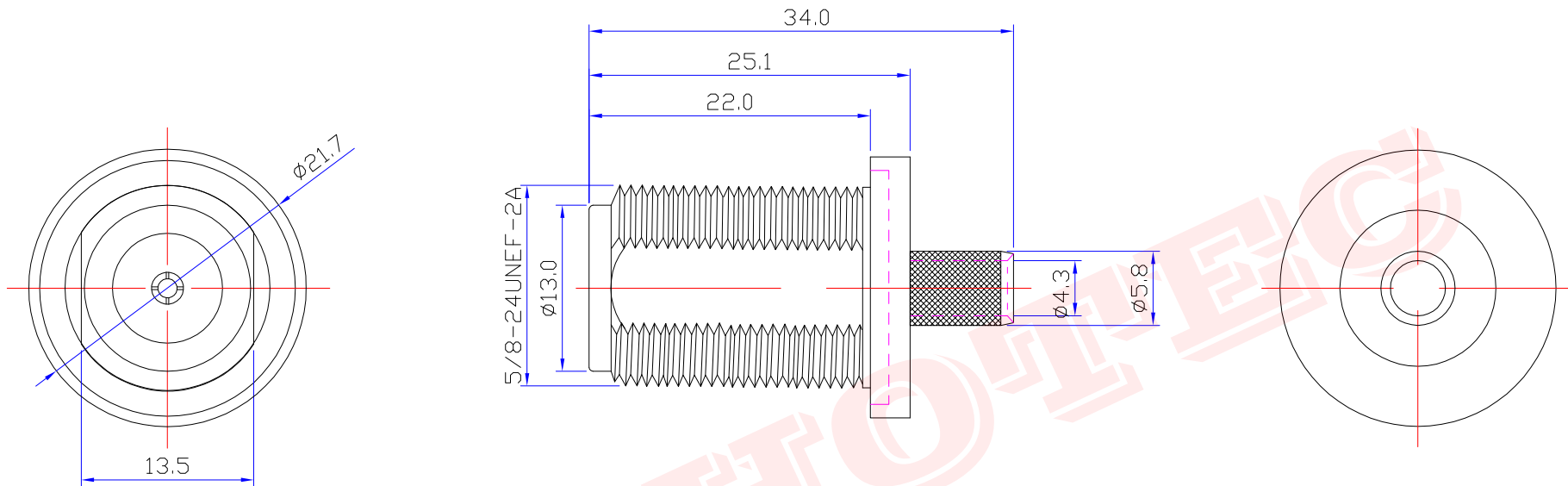


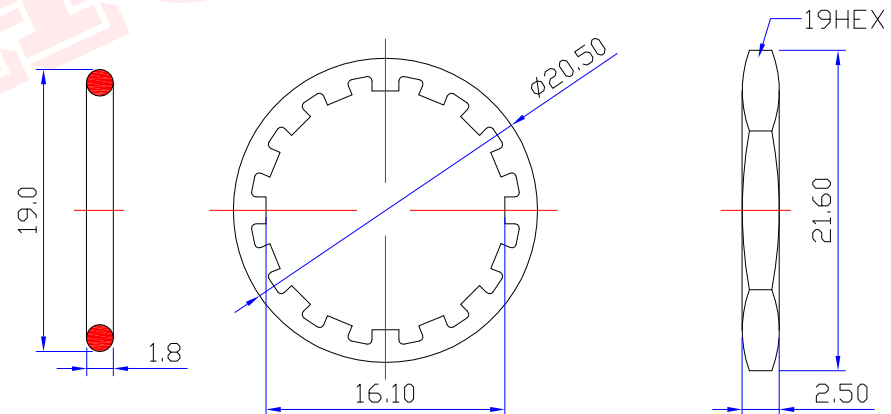


Product NO.		RHT-614-0216			
REV	DESCRIPTION	DWN	DATE	APPROVEN	
A	First issue	Gavin	2018/03/12	JIM.KING	



**Specifications**

Impedance: 50 Ohms  
 Frequency Range: 0-6G  
 VSWR: 1.5MAX  
 Working Voltage: 1000 VRMS (max at sea level)  
 Dielectric Withstanding Voltage: 1500 vrms (max at sea level)  
 Insulation Resistance: 5000 Ohms min  
 Durability Mating: 500 Cycles min  
 Temperature Range: -65°C TO +165°C



6	NUT	BRASS	NICKEL	1
5	GASKET	BRASS	NICKEL	1
4	O-RING	EPDM	RED	1
3	PIN	BRASS	GOLD	1
2	INSUKATON	TEFLON	WHITE	1
1	BODY	BRASS	NICKEL	1
NO	DESCRIPTION	MATERIAL	FINISH	QTY

-TOLERANCES- UNLESS OTHERWISE SPECIFIED		<b>RENHOTEC GROUP</b>	
UNLESS OTHERWISE SPECIFIED TOLERANCES FOR MILLIMETERS ARE: 0.5 - 8mm ± 0.20mm 8 - 30mm ± 0.40mm 30 - 120mm ± 0.50mm		PART DESCRIPTION: N JACK FOR LMR240 CABLE Appd: JIM.KING P/N: RHT-614-0216 Check: Date Scale Unit Type Page Draw: Gavin 2018/03/12 Free MM Z 1/1	