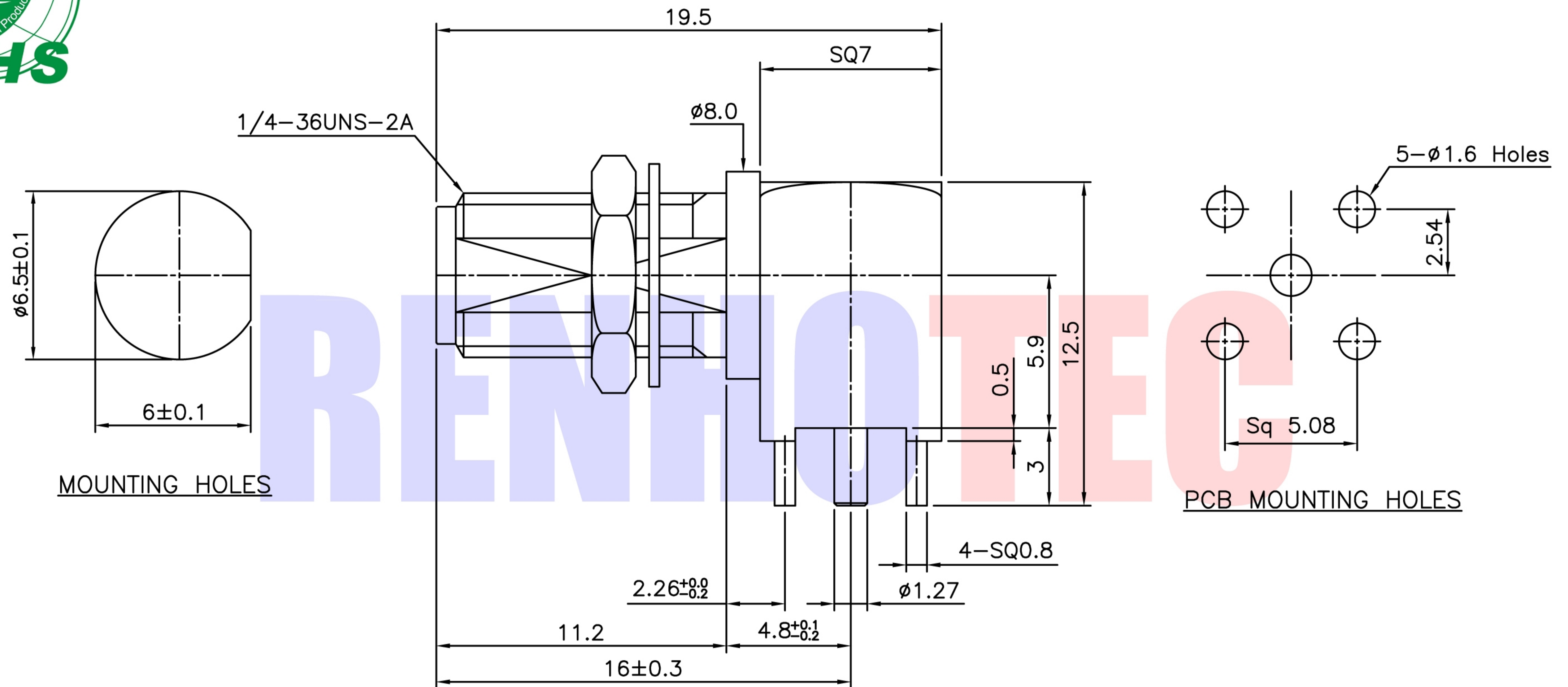




Product NO.	Renhotec-612-0281			
REV	DESCRIPTION	DWN	DATE	APPROVEN
A	First issue	Mr. Wang	2017/3/4	John kine



Connector parts	Materials	Finish
Body	Brass	Gold Plated
Center contact	Beryllium copper	Gold Plated
Nut,Washer	Brass	Gold Plated
Insulator	PTFE	Gold Plated

NOTE:		Tolerance	0-6 $\pm 0.10$ 6-30 $\pm 0.20$ 30-120 $\pm 0.30$ Angular $\pm 2^\circ$
DRAWN Zelin. Zhang	2017/3/4	View	
CHECKED		UNIT	MM
APPROVALS John Kine	2017/3/4	SCALE	1:1



**RENHOTECH GROUP**

Name: SMA R/A Bulkhead Jack PCB Mount

SIZE A	Product NO. RHT-612-0281	REV B
DateTime 2017/3/4	CAD FILE D/company drawings/BD	SHEET: 1 OF 1