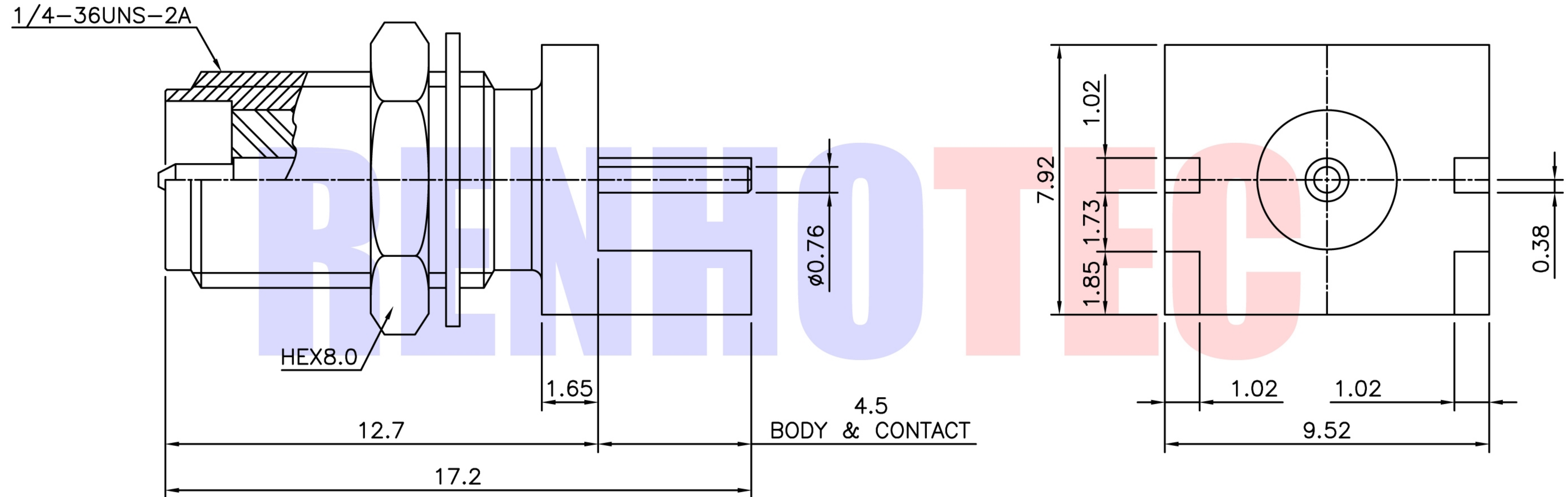




Product NO.	Renhotec-612-0278			
REV	DESCRIPTION	DWN	DATE	APPROVEN
A	First issue	Mr. Wang	2017/3/4	John kine



Connector parts	Materials	Finish
Body,Nut,Washer	Brass	Gold Plated
Center contact	Brass	Gold Plated
Insulator	TEFLON	-

SMA End Launch Bulkhead Jack Receptacle
 -Round Contact(1.57Board)
 (REVERSE POLARITY)

NOTE:		Tolerance	0-6	± 0.10	 www.renhotec.com		
			6-30	± 0.20			
DRAWN		View	30-120	± 0.30	Name: Edge Mount SMA Jack		
Zelin. Zhang	2017/3/4		Angular	$\pm 2^\circ$			
CHECKED		UNIT	MM		SIZE	Product NO. RHT-612-0278	
APPROVALS		SCALE	1:1		A	REV	
John Kine	2017/3/4	DateTime		2017/3/4	CAD FILE		SHEET: 1 OF 1
		2017/3/4		D/company drawings/BD			