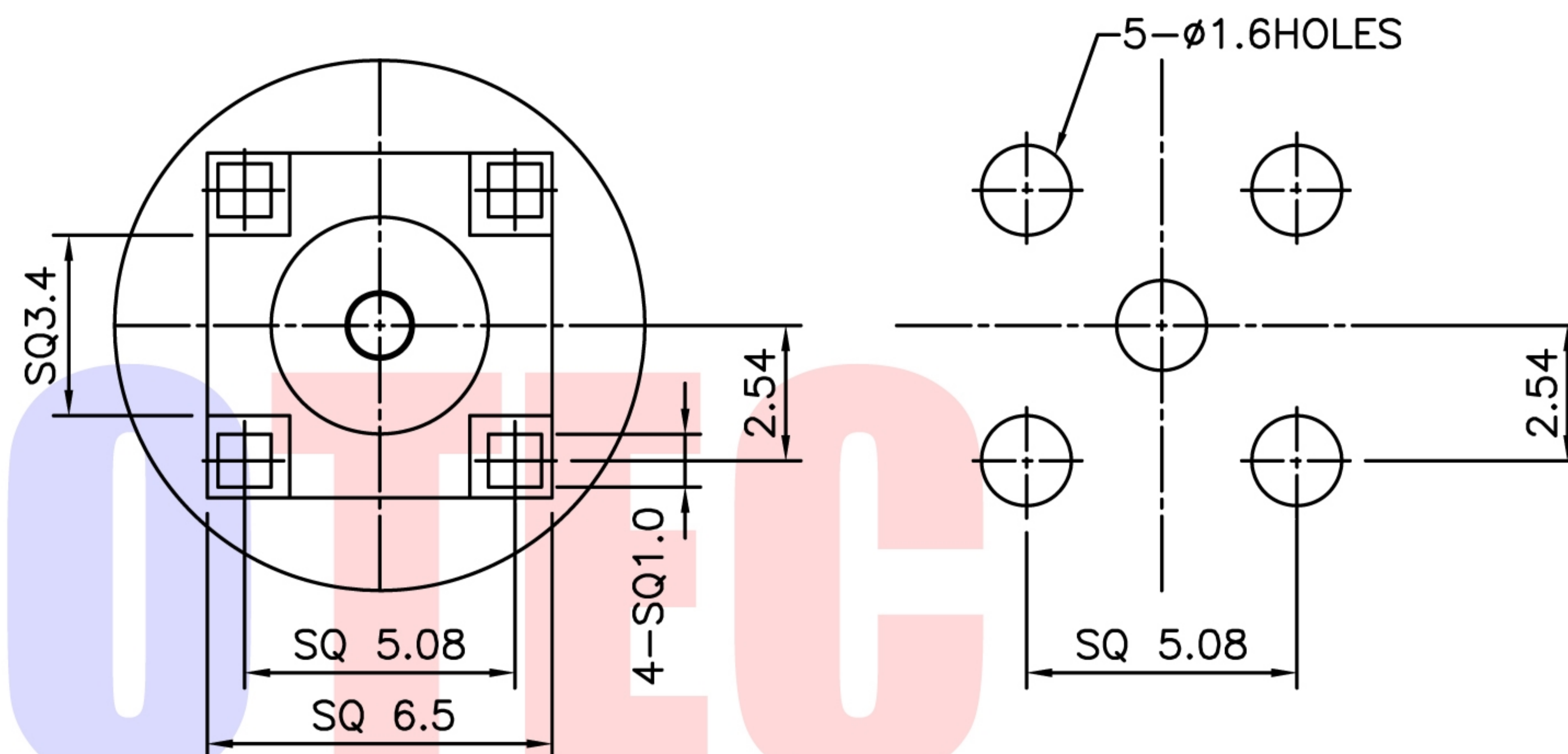
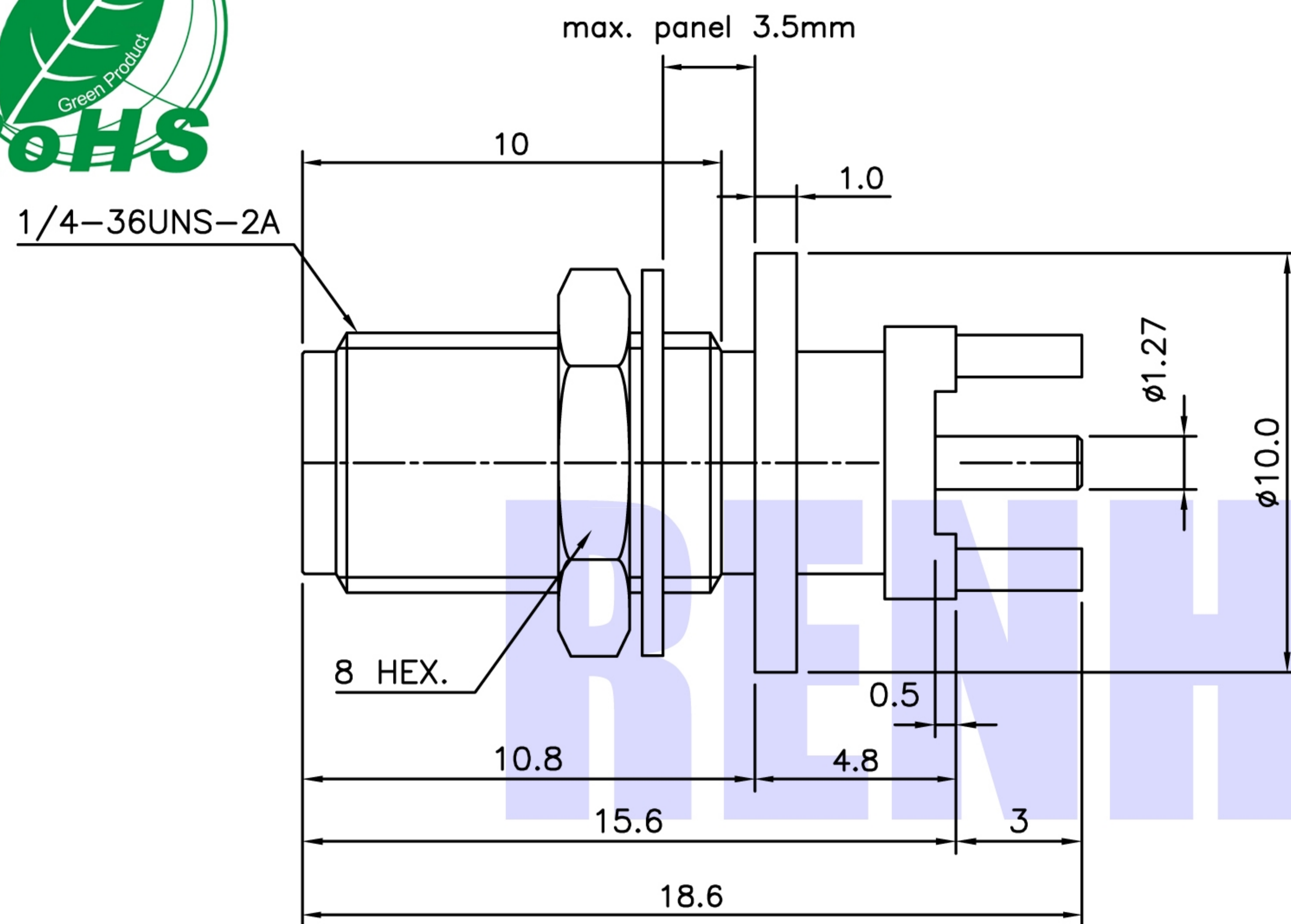




|             |                   |          |          |           |
|-------------|-------------------|----------|----------|-----------|
| Product NO. | Renhotec-612-0269 |          |          |           |
| REV         | DESCRIPTION       | DWN      | DATE     | APPROVEN  |
| A           | First issue       | Mr. Wang | 2017/3/2 | John kine |



**SPECIFICATION**

- Dielectric Withstanding Voltage : 1000V min
- Working Voltage : < 335W
- Characteristics impedance : 50 ohm
- Frequency Range : DC~18GHz
- Insulation Resistance : 5000MΩ min
- Contact Resistance : < 3mΩ
- Contact Resistance Outer Conductor : < 2mΩ

|           |          |                       |              |   |
|-----------|----------|-----------------------|--------------|---|
| NOTE:     |          | Tolerance             | 0-6 ±0.10    | <b>RENHOTEC GROUP</b><br><a href="http://www.renhotec.com">www.renhotec.com</a> |
|           |          |                       | 6-30 ±0.20   |   |
| DRAWN     | 2017/3/2 | View                  | 30-120 ±0.30 | Name: Str. SMA Jack PCB Mount   |
| CHECKED   |          |                       |              |   |
| APPROVALS |          | UNIT                  | MM           | SIZE A  |
| John Kine |          | SCALE                 | 1:1          | Product NO. RHT-612-0269  |
| 2017/3/2  |          | DateTime              | 2017/3/2     | CAD FILE  |
|           |          | D/company drawings/BD |              | REV B   |
|           |          |                       |              | SHEET: 1 OF 1   |