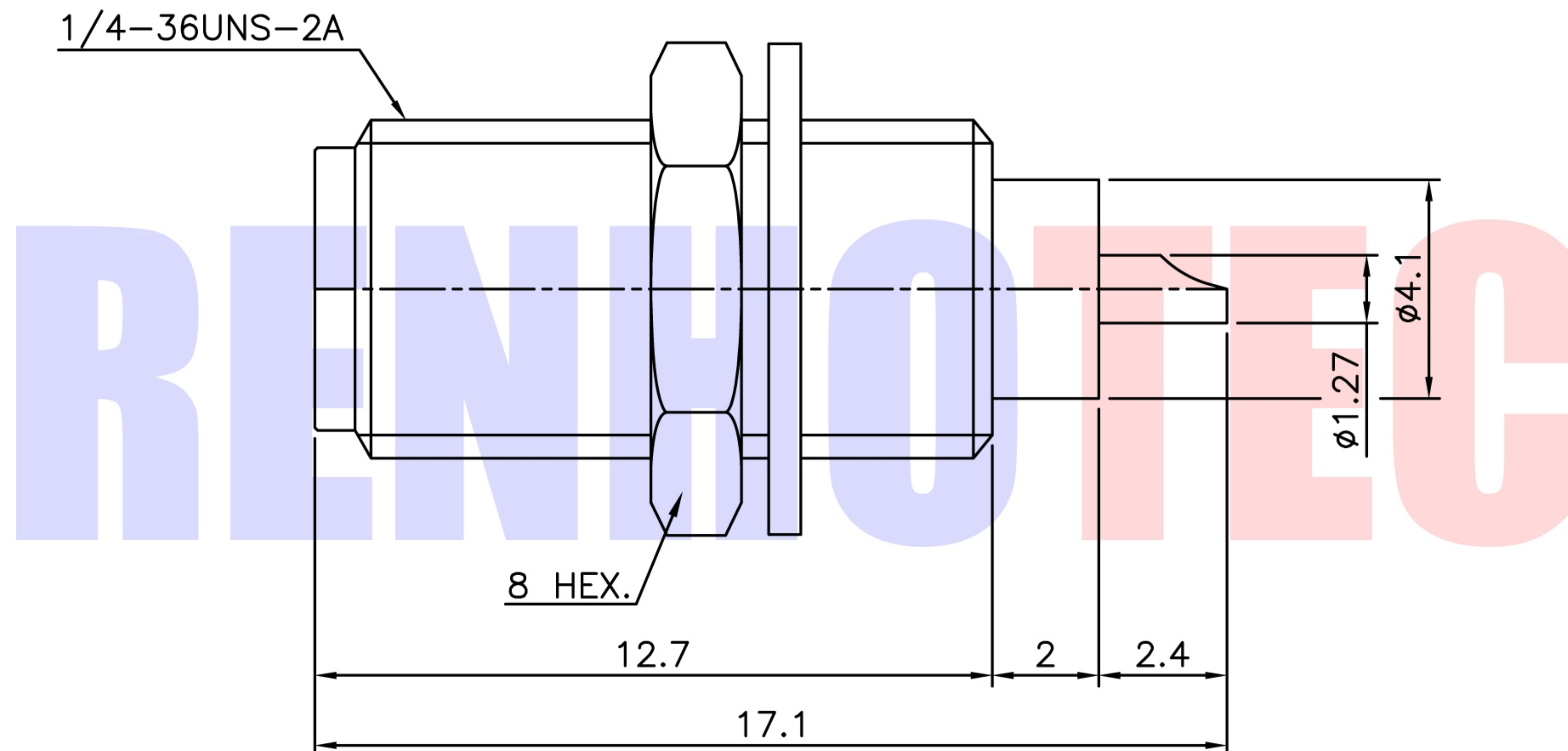




Product NO.	Renhotec-612-0251			
REV	DESCRIPTION	DWN	DATE	APPROVEN
A	First issue	Mr. Wang	2017/3/2	John kine



Connector parts	Materials	Finish
Body,Nut,Washer	Brass	Gold Plated
Center contact	BeCu	Gold Plated
Insulator	TEFLON	-

NOTE :		Tolerance	0-6 ±0.10
			6-30 ±0.20
			30-120 ±0.30
			Angular ±2°
DRAWN	2017/3/2	View	
Zelin. Zhang			
CHECKED		UNIT	MM
APPROVALS	2017/3/2	SCALE	1:1
John Kine			



RENHOTEC GROUP

Name: SMA Bulkhead Jack Receptacle

SIZE	Product NO.	REV
A	RHT-612-0251	B
DateTime	CAD FILE	SHEET: 1 OF 1
2017/3/2	D/company drawings/BD	