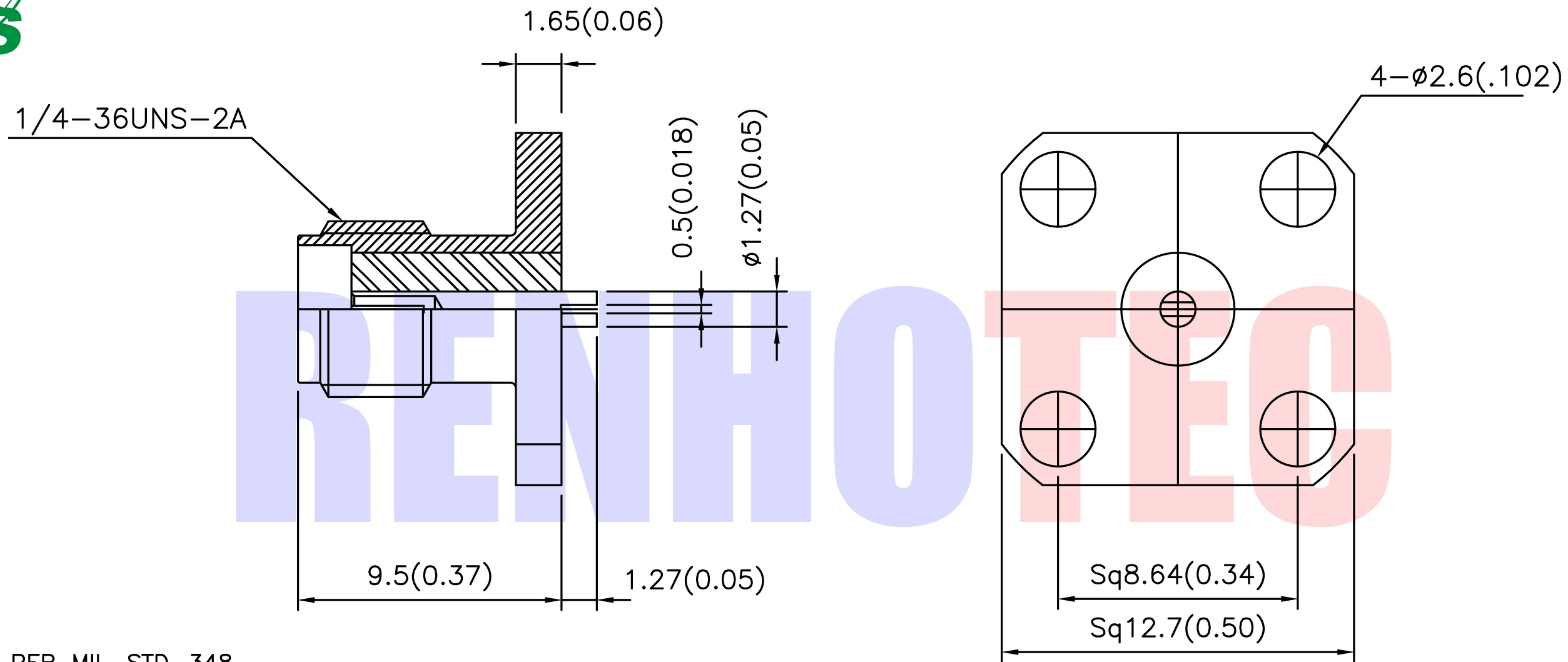




| | | | | |
|-------------|-------------------|----------|----------|-----------|
| Product NO. | Renhotec-612-0246 | | | |
| REV | DESCRIPTION | DWN | DATE | APPROVEN |
| A | First issue | Mr. Wang | 2017/3/2 | John kine |



NOTES:

- INTERFACE PER MIL-STD-348
- MATERIALS
INSULATOR: TEFLON
CENTER CONTACT: BERYLLIUM COPPER
BODY: STAINLESS STEEL 303
- FINISHES
CENTER CONTACT: GOLD PLATE
BODY: PASSIVATED
- FOR NON-CAPTIVATED CONNECTORS, CENTER CONTACT IS PACKAGED AND SHIPPED UNASSEMBLED.

SMA-Panel JACK Receptacle
4-Hole/ (SQ 1/2")-SLOT TERMINAL

| | | | |
|-----------|--------------|-----------|--|
| NOTE: | | Tolerance | 0-6 ±0.10 6-30 ±0.20 30-120 ±0.30 Angular ±2° |
| DRAWN | Zelin. Zhang | View | |
| CHECKED | | UNIT | MM |
| APPROVALS | John Kine | SCALE | 1:1 |
| | 2017/3/2 | | |



RENHOTEC GROUP

Name: 4 Hole Flange SMA Jack

| | | |
|----------|-----------------------|---------------|
| SIZE | Product NO. | REV |
| A | RHT-612-0246 | B |
| DateTime | CAD FILE | SHEET: 1 OF 1 |
| 2017/3/2 | D/company drawings/BD | |