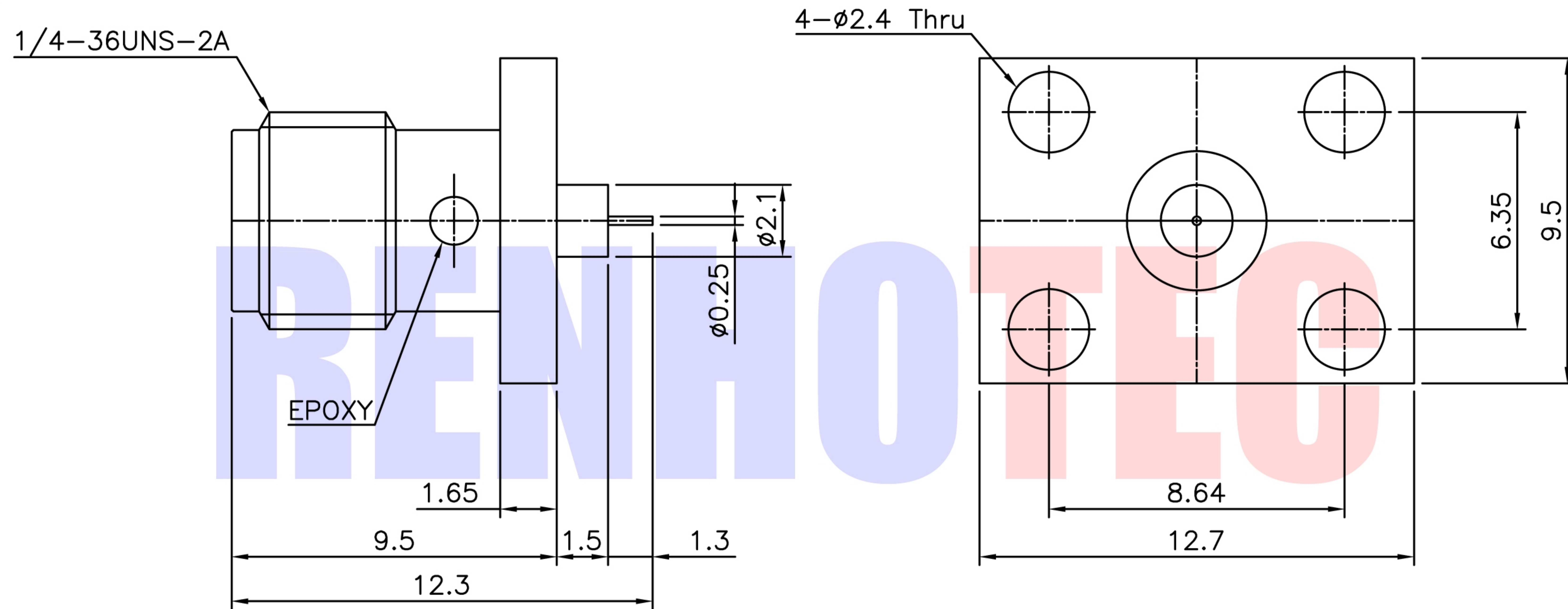




Product NO.	Renhotec-612-0238			
REV	DESCRIPTION	DWN	DATE	APPROVEN
A	First issue	Mr. Wang	2017/3/2	John kine



Connector parts	Materials	Finish
Body	Brass	Gold plated
Center contact	Beryllium copper	Gold plated
Insulator	PTFE	-

NOTE:		Tolerance	0-6 ±0.10
			6-30 ±0.20
			30-120 ±0.30
			Angular ±2°
DRAWN	Zelin. Zhang	2017/3/2	View
CHECKED			
APPROVALS		2017/3/2	UNIT
John Kine			
SCALE		1:1	



**RENHOTEC GROUP**

Name: SMA 4Hole Panel Jack Receptacle

SIZE	Product NO.	REV
A	RHT-612-0238	B
DateTime	CAD FILE	SHEET: 1 OF 1
2017/3/2	D/company drawings/BD	