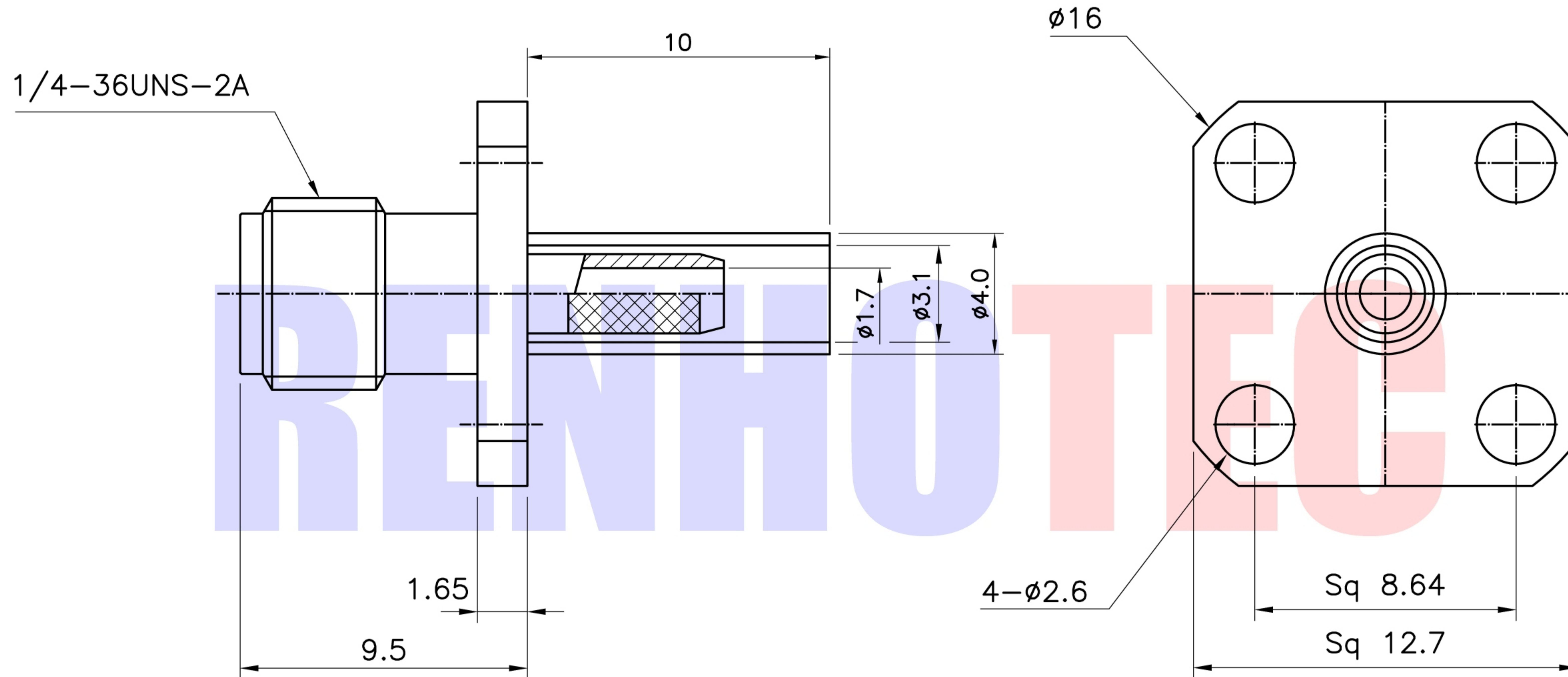




Product NO.	Renhotec-612-0215			
REV	DESCRIPTION	DWN	DATE	APPROVEN
A	First issue	Mr. Wang	2017/3/1	John kine



Item	Materials	Plating
Body	Brass	Gold Plated
Center contact	Beryllium copper	Gold Plated
Insulator	TEFLON	-
Ferrule	Brass	Gold Plated

NOTE:		Tolerance	0-6 ±0.10
			6-30 ±0.20
			30-120 ±0.30
			Angular ±2°
DRAWN	Zelin. Zhang	2017/3/1	View
CHECKED			
APPROVALS		2017/3/1	UNIT
John Kine			
SCALE		1:1	



RENHOTECH GROUP

Name: SMA Panel 4Hole Jack for Cable RG316

SIZE	Product NO.	REV
A	RHT-612-0215	B
DateTime	CAD FILE	SHEET: 1 OF 1
2017/3/1	D/company drawings/BD	