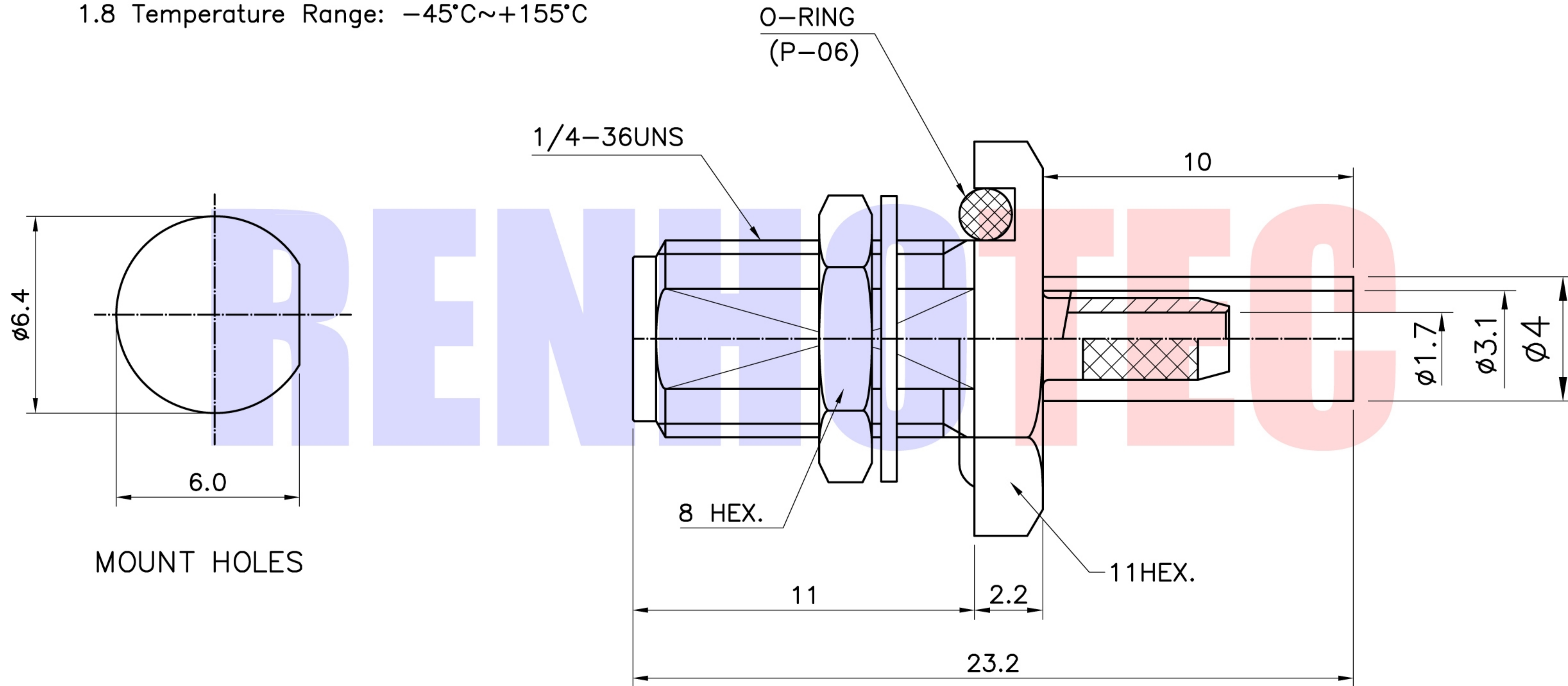




**SPECIFICATIONS.**

- 1.1 Impedance: 50ohm
- 1.2 Frequency Range: per cable per MIL-C-17
- 1.3 Working Voltage rating: 335 Vrms
- 1.4 Dielectric Withstanding Voltage: 1000 Vrms
- 1.5 VSWR: 1.2:1 Max
- 1.6 Insulation Resistance: 5,000 megohms
- 1.7 Connector Durability: 500 mating
- 1.8 Temperature Range: -45°C~+155°C

Product NO.	Renhotec-612-0214			
REV	DESCRIPTION	DWN	DATE	APPROVEN
A	First issue	Mr. Wang	2017/3/1	John kine



Connector parts	Materials	Finish
Body	Brass	Gold Plated
Center contact	Beryllium copper	Gold Plated
Insulator	PTFE	-
O-Ring	Silicone Rubber	-

NOTE:	Tolerance	0-6 ±0.10 6-30 ±0.20 30-120 ±0.30 Angular ±2°
DRAWN Zelin. Zhang 2017/3/1	View	
CHECKED	UNIT	MM
APPROVALS John Kine 2017/3/1	SCALE	1:1



**RENHOTEC GROUP**

Name: SMA Bulkhead Jack with Seal for Cable RG316

SIZE A	Product NO. RHT-612-0214	REV B
-----------	--------------------------	----------

DateTime 2017/3/1	CAD FILE D/company drawings/BD	SHEET: 1 OF 1
----------------------	-----------------------------------	---------------