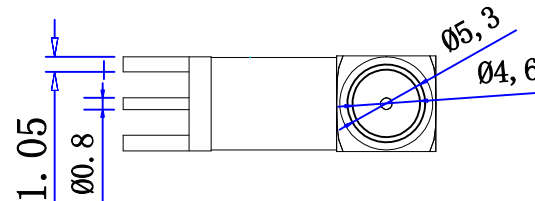
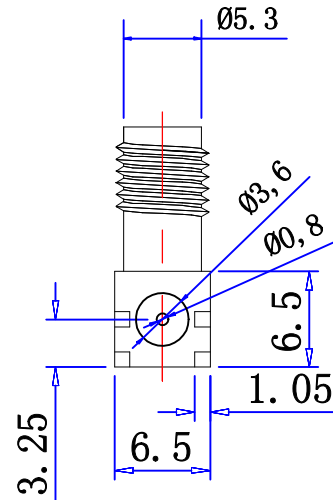
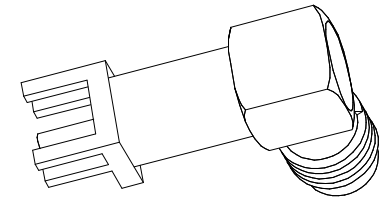
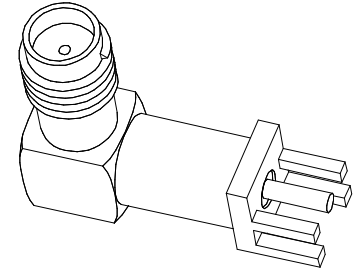


Product NO.	Renhotec-612-0034			
REV	DESCRIPTION	DWN	DATE	APPROVEN
A	First issue	Mr;chen	2016/4/27	John kine



Specifications

Impedance: 50 Ohms

Frequency Range:DC~18Ghz

VSWR:1.25MAX

Working Voltage:500V rms @ sea level

Insulation Resistance:5000 Ohms min

Temperature Range:-65°C TO +165°C

Relative Temperature:≤95%(40° C±2° C)

Drawings products are in line with ROHS standards

1	Body	Brass	GOLD
2	Insulator	TEFLON	White
3	CONTACT PIN	Brass	GOLD
4			
5			
6			
7			
8			
9			
10			
NO	Component Number	Material	Finish

NOTE:	
DRAWN	2016/04/
Zelin.Zhang	27
CHECKED	
APPROVALS	27.04.2016
John Kine	

Tolerance	0-6 ±0.10
	6-30 ±0.20
	30-120 ±0.30
	Angular ±2°
View	
UNIT	MM
SCALE	1:1

Name:SMA R/A JACK RIGHT AMGLE PCB MOUNT			
SIZE	Product NO. RENHOTEC-612-0034	REV	
A		B	
DateTime	CAD FILE	SHEET: 1 OF 1	
2016/4/17	D/company drawings/BD		