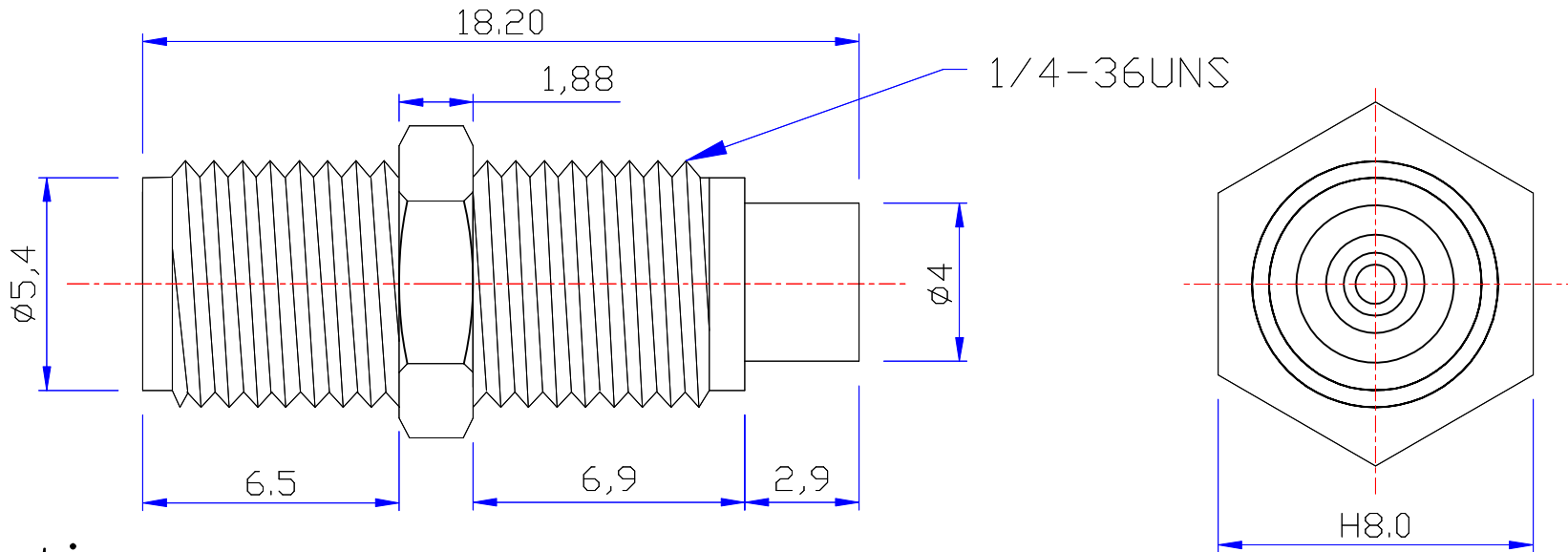




Product NO.	Renhotec-612-0028			
REV	DESCRIPTION	DWN	DATE	APPROVEN
A	First issue	Mr;chen	2016/4/17	John kine



### Specifications:

IMPEDANCE: 50 Ohms  
 Frequency range: 0~6GHZ  
 VSWR: 1.5MAX  
 Working voltage: 500V rms @ sea level  
 Insulation resistance: 5000 Ohms min  
 Temperature range: -55°C TO +155°C  
 Relative temperature: ≤95% (40° C ± 2° C)

1	Body	Brass	GOID
2	Insulator	TEFLON	White
3	Center contact	Brass	GOLD
4			
5			
6			
7			
8			
9			
10			
NO	Component Number	Material	Finish

NOTE:	
DRAWN	2016/04/
Zelin.Zhang	17
CHECKED	
APPROVALS	17/04.2016
John Kine	

Tolerance	0-6	±0.10
	6-30	±0.20
View	30-120	±0.30
	Angular	±2°
UNIT	MM	
SCALE	1:1	



**RENHOTEC GROUP**

Name: SMA CONNECTOR			
SIZE	Product NO. RENHOTEC-612-0028	REV	
A		B	
DateTime	CAD FILE	SHEET: 1 OF 1	
2016/4/17	D/company drawings/BD		