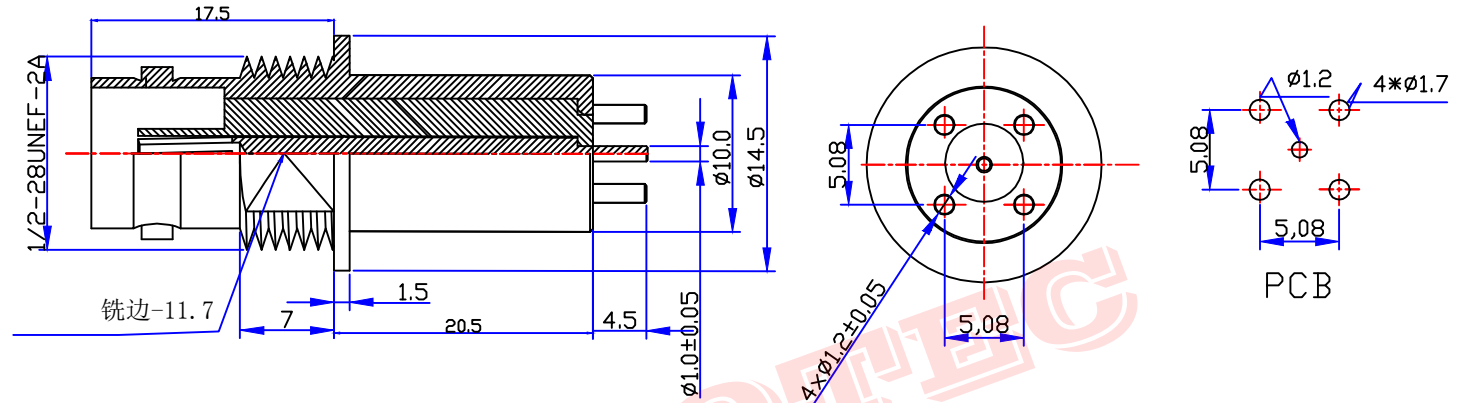




Product NO.	RHT-610-1043			
REV	DESCRIPTION	DWN	DATE	APPROVEN
A	First issue	Mr.chen	2016/03/17	John kine



**SPECIFICATIONS:**

Impedance: 50 Ohms  
 Frequency Range: DC~6G  
 VSWR: 1.3max  
 Working Voltage: 500v RMS @ SEA level  
 Insulation Resistance: 5000 Ohms min  
 Temperature Range: -40°C TO +140°C  
 Drawings products are in line with ROHS standards

NOTE:		Tolerance	0-6	±0.10
DRAWN			6-30	±0.20
2016/03/17		View	30-120	±0.30
Zelin. Zhang			Angular	±2°
CHECKED		UNIT	MM	
APPROVALS		SCALE	1:1	
John		DateTime		
17/03.2016		2016/03/17		



Name: BNC JACK FOR PCB		REV
SIZE	Product NO. RHT-610-1043	
A		A
DateTime	CAD FILE	SHEET: 1 OF 1
2016/03/17	D/company drawings/BD	

E	GASKET	TE	NICKEL	1
D	NUT	BRASS	NICKEL	1
C	INSULATOR	TEFLON	NONE	1
B	CONTACT PLATINC	BRASS	GOLD	1
A	BODY	BRASS	NICKEL	1
NO	DESCRIPTION	MATERIAL	FINISHED	QTY