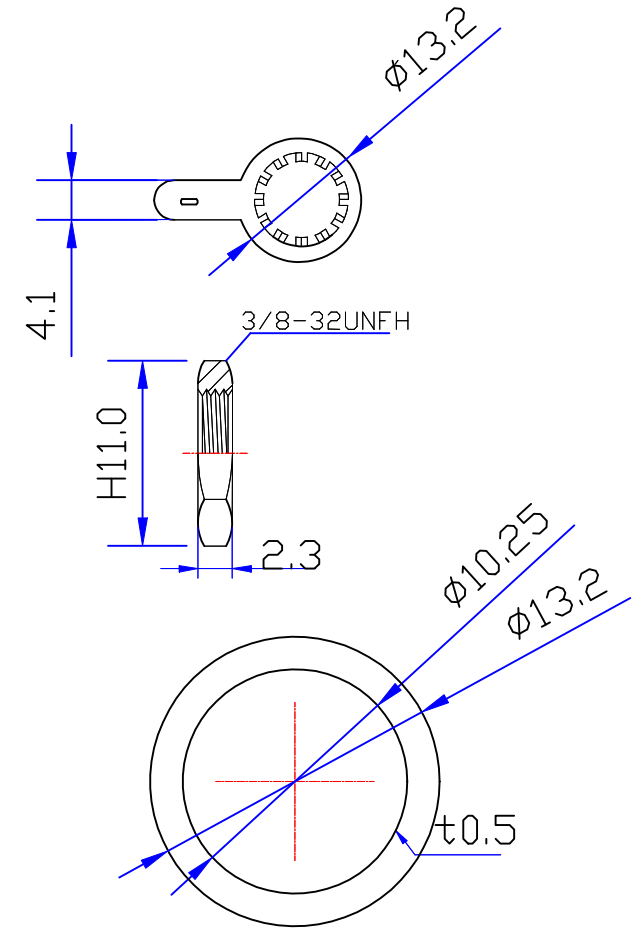
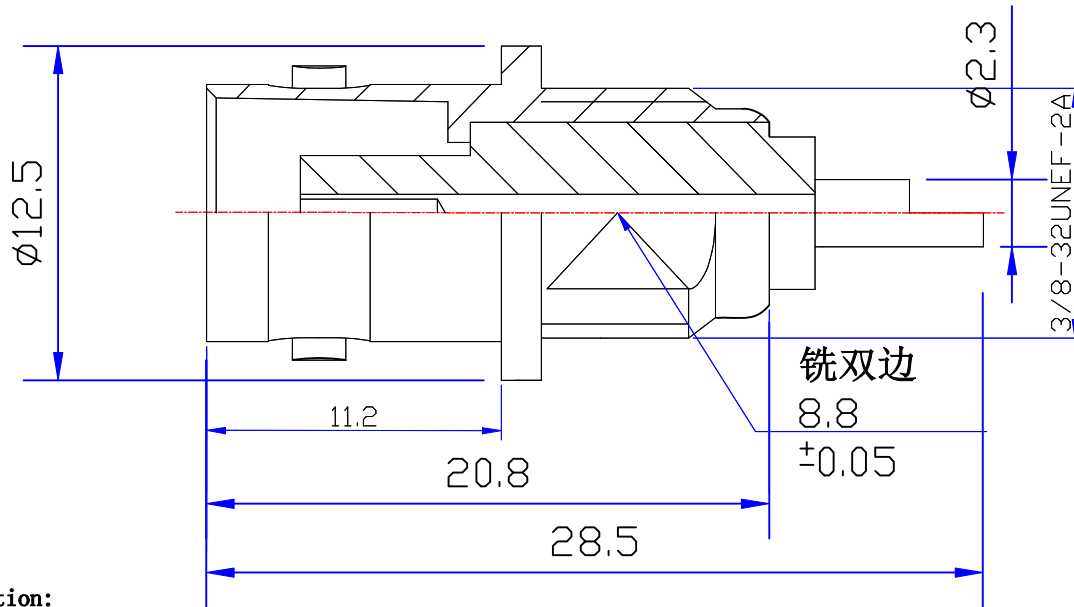




| | | | | |
|-------------|-------------------|----------|-----------|-----------|
| Product NO. | Renhotec-610-0066 | | | |
| REV | DESCRIPTION | DWN | DATE | APPROVEN |
| A | First issue | Mr. Wang | 2016/3/11 | John kine |



Specification:

Impedance: 50. Ohms

VSWR: 1.3MAX

Frequency range: DC~4G

Working Voltage: 500V rms @ sea level

Insulation resistance: 5000 Ohms min

Temperature range: -55°C TO +155°C

Relative temperature: ≤95%(40° C±2° C)

Drawings products are in line with ROHS standards .

NOTE:
DRAWN Zelin. Zhang 2016/03/11
CHECKED

| | |
|-----------|--------------|
| Tolerance | 0-6 ±0.10 |
| | 6-30 ±0.20 |
| | 30-120 ±0.30 |
| | Angular ±2° |



RENHOTEC GROUP

Name: BNC CONNECTOR

| | | | | |
|----|---------------|----------|--------|-----|
| 3 | BY-00001-NI-0 | Zinc | NICKE | 1 |
| 2 | PN-00002-NI-0 | Brass | GOLD | 1 |
| 1 | IN-00001-0 | POM | White | 1 |
| NO | DESCRIPTION | MATERIAL | FINISH | QTY |

APPROVALS
John Kine 11/03.2016

| | |
|-------|-----|
| View | |
| UNIT | MM |
| SCALE | 1:1 |

| | | |
|---------------|-------------------------------|--------------------------------|
| SIZE A | Product NO. RENHOTEC-610-0066 | REV B |
| DateTime | 2016/3/11 | CAD FILE D/company drawings/BD |
| SHEET: 1 OF 1 | | |