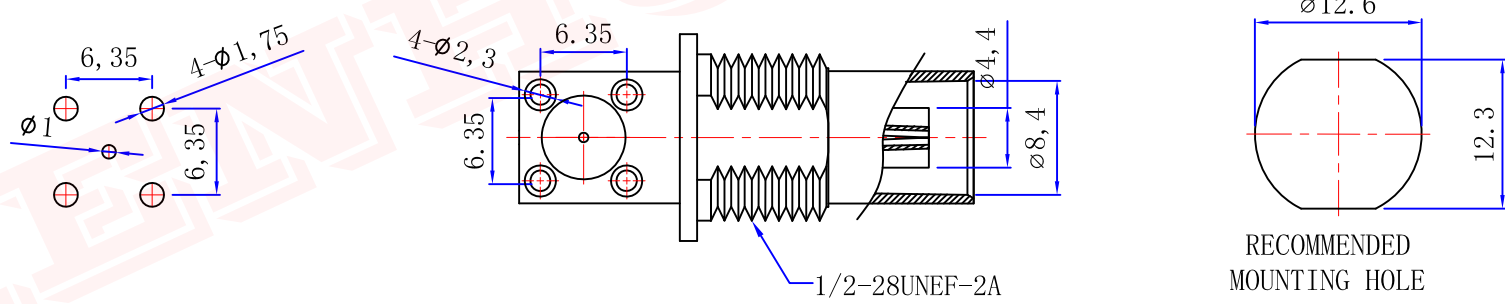
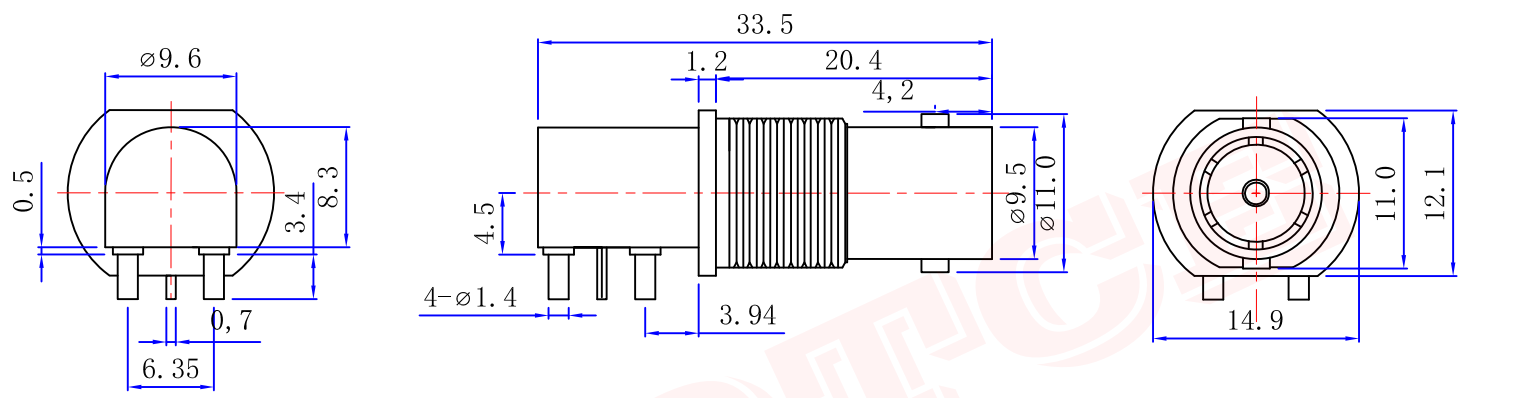




Product NO.		RHT-610-0033			
REV	DESCRIPTION	DWN	DATE	APPROVEN	
A	First issue	Gavin	2018/09/17	JIM. KING	



SPECIFICATIONS:
 Impedance: 50 Ohms
 Frequency Range: DC~6G
 VSWR: 1.3max
 Working Voltage: 500v RMS @ SEA level
 Insulation Resistance: 5000 Ohms min
 Temperature Range: -55°C TO +155°C
 Drawings products are in line with ROHS standards

-TOLERANCES- UNLESS OTHERWISE SPECIFIED	RENHOTEC GROUP www.renhotec.com				
	PART DESCRIPTION: BNC R/A PCB JACK CONNECTOR				
UNLESS OTHERWISE SPECIFIED TOLERANCES FOR MILLIMETERS ARE: 0.5 - 8mm \pm 0.10mm 8 - 30mm \pm 0.15mm 30 - 120mm \pm 0.20mm	Appd: JIM. KING	P/N: RHT-610-0033			
	Check:	Date	Scale	Unit	Type
	Draw: Gavin	2018. 09. 17	Free	MM	Z

3	INSULATING	POM	WHITE	1
2	CONTACT PIN	BRASS	GOLD	1
1	BODY	ZINC	TINNING	1
NO	DESCRIPTION	MATERIAL	FINISH	QTY