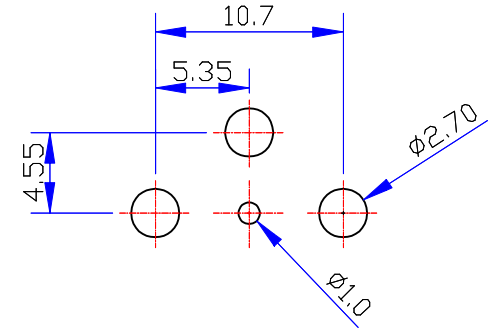
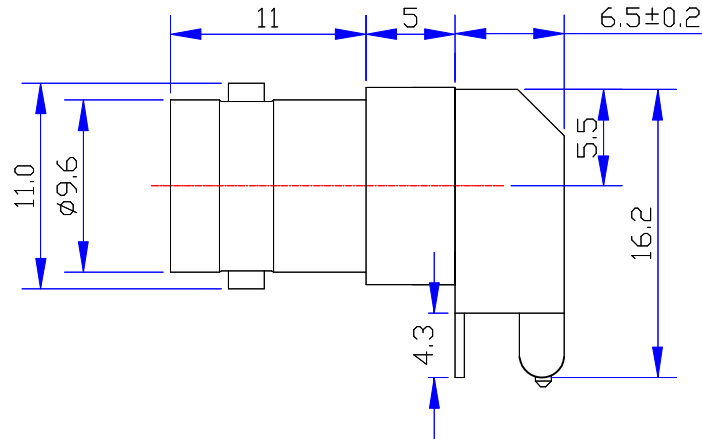
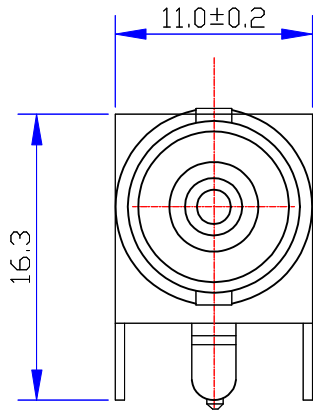




Product NO.	Renhotec-610-0028			
REV	DESCRIPTION	DWN	DATE	APPROVEN
A	First issue	Mr. Wang	2016/3/05	John kine



PCB LAYOUT
(BOTTOM VIEW)

Specifications

- Impedance: 50 Ohms
- Frequency Range: DC~3G
- VSWR: 1.3MAX
- Working Voltage: 500V rms @ sea level
- Insulation Resistance: 5000 Ohms min
- Temperature Range: -55°C TO +155°C
- Relative Temperature: ≤95%(40° C±2° C)
- Drawings products are in line with ROHS standards

NOTE:

Tolerance

0-6	±0.10
6-30	±0.20
30-120	±0.30
Angular	±2°

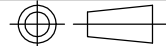


RENHOTEC GROUP

D	STAND	TIN PLATE	NICKEL	1
C	INSULATOR	POM	NONE	1
B	CONTACT PLATING	BRASS	GOLD	1
A	BODY	BRASS	NICKEL	1
NO	DESCRIPTION	MATERIAL	FINISHED	QTY

DRAWN	2016/03/05
Zelin. Zhang	
CHECKED	
APPROVALS	09.03.2016
John Kine	

View



UNIT

MM

SCALE

1:1

Name: BNC JACK CONNECTOR DNN

SIZE	Product NO. RENHOTEC-610-0028	REV
A		B

DateTime	2016/3/05	CAD FILE	D/company drawings/BD	SHEET: 1 OF 1
----------	-----------	----------	-----------------------	---------------