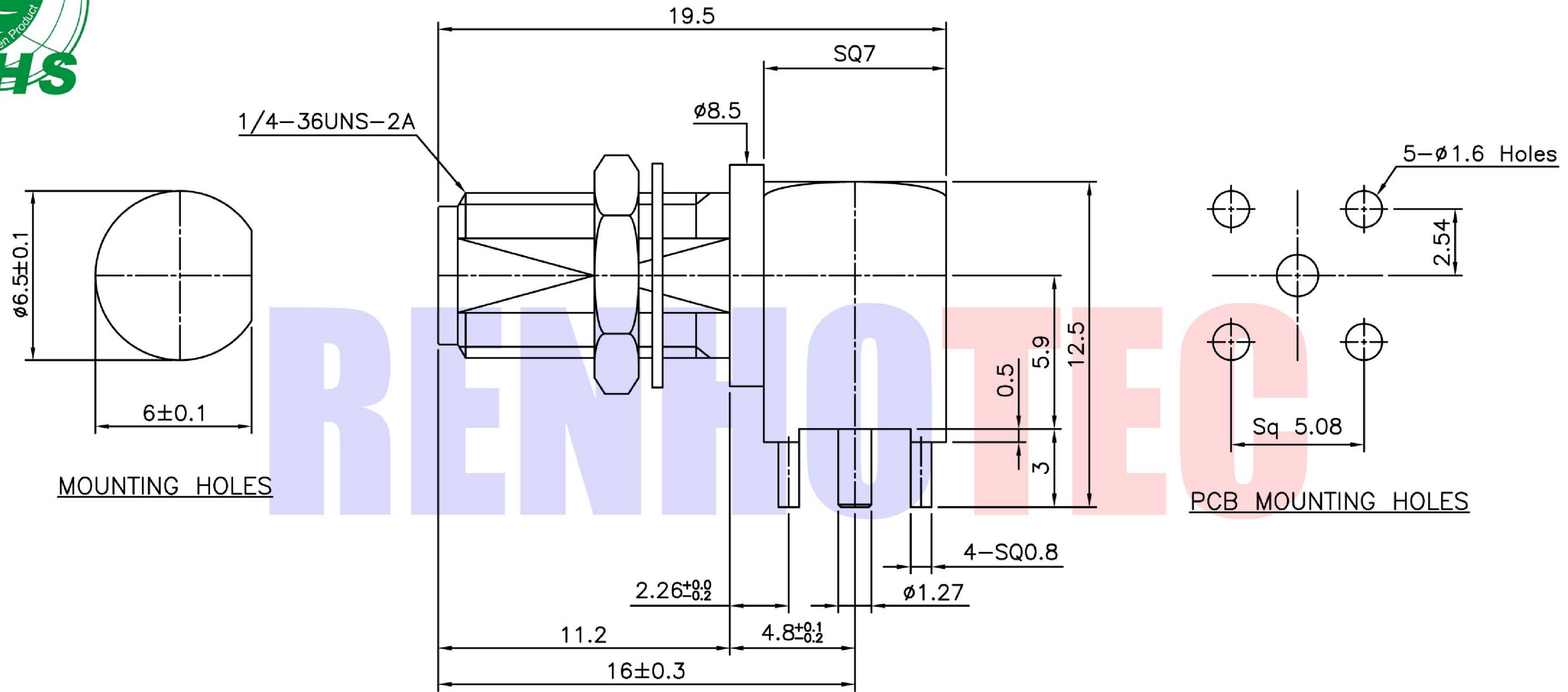




Product NO.	Renhotec-612-0282			
REV	DESCRIPTION	DWN	DATE	APPROVEN
A	First issue	Mr. Wang	2017/3/6	John kine



Connector parts	Materials	Finish
Body	Brass	Gold Plated
Center contact	Beryllium copper	Gold Plated
Nut, Washer	Brass	Gold Plated
Insulator	PTFE	Gold Plated

NOTE:	Tolerance	0-6 ±0.10 6-30 ±0.20 30-120 ±0.30 Angular ±2°
DRAWN Zelin. Zhang 2017/3/6	View	
CHECKED	UNIT	MM
APPROVALS <i>John Kine</i> 2017/3/6	SCALE	1:1



RENHOTEC GROUP

Name: SMA R/A Bulkhead Jack PCB Mount		
SIZE A	Product NO. RHT-612-0282	REV B
DateTime 2017/3/6	CAD FILE D/company drawings/BD	SHEET: 1 OF 1