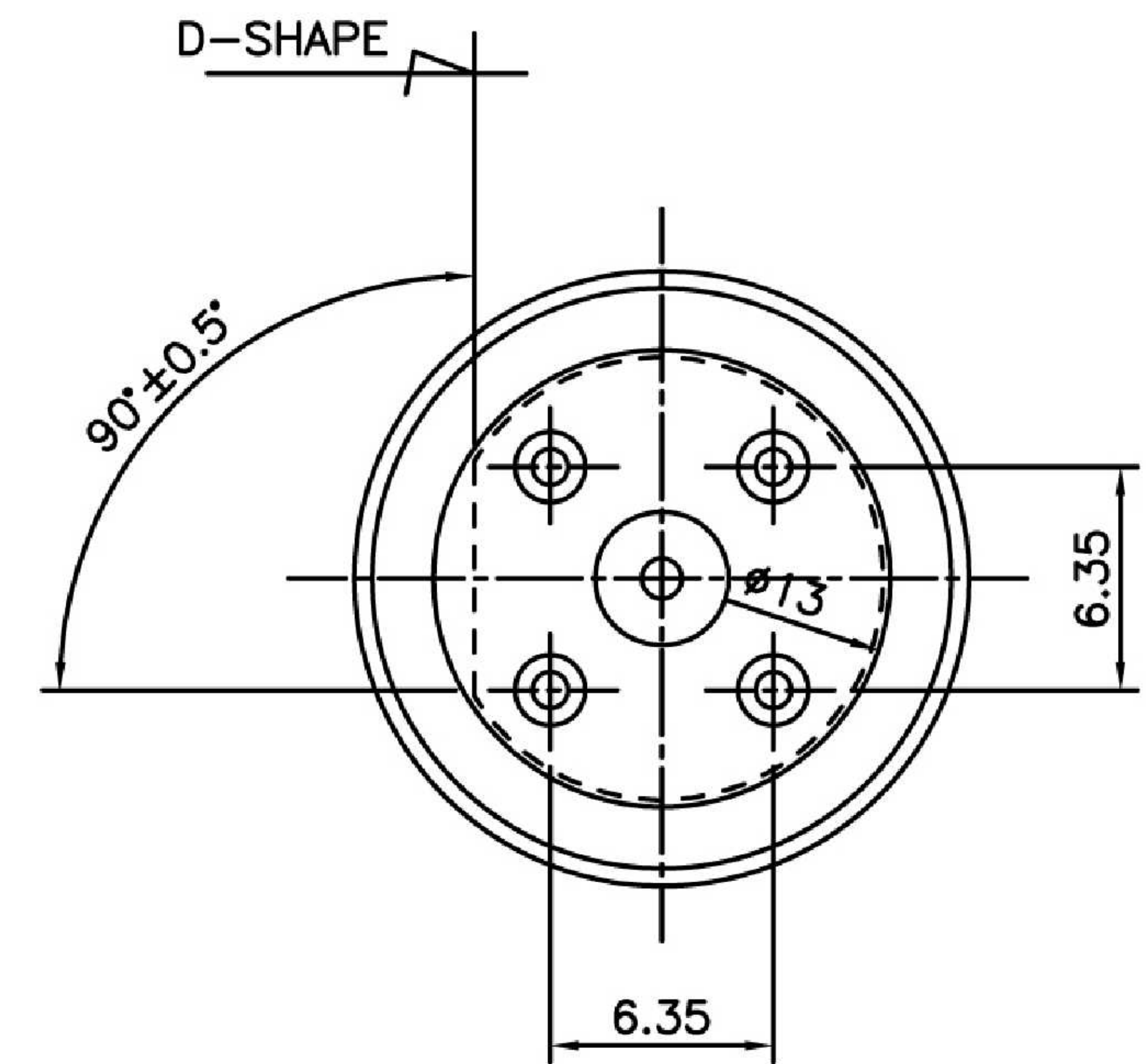
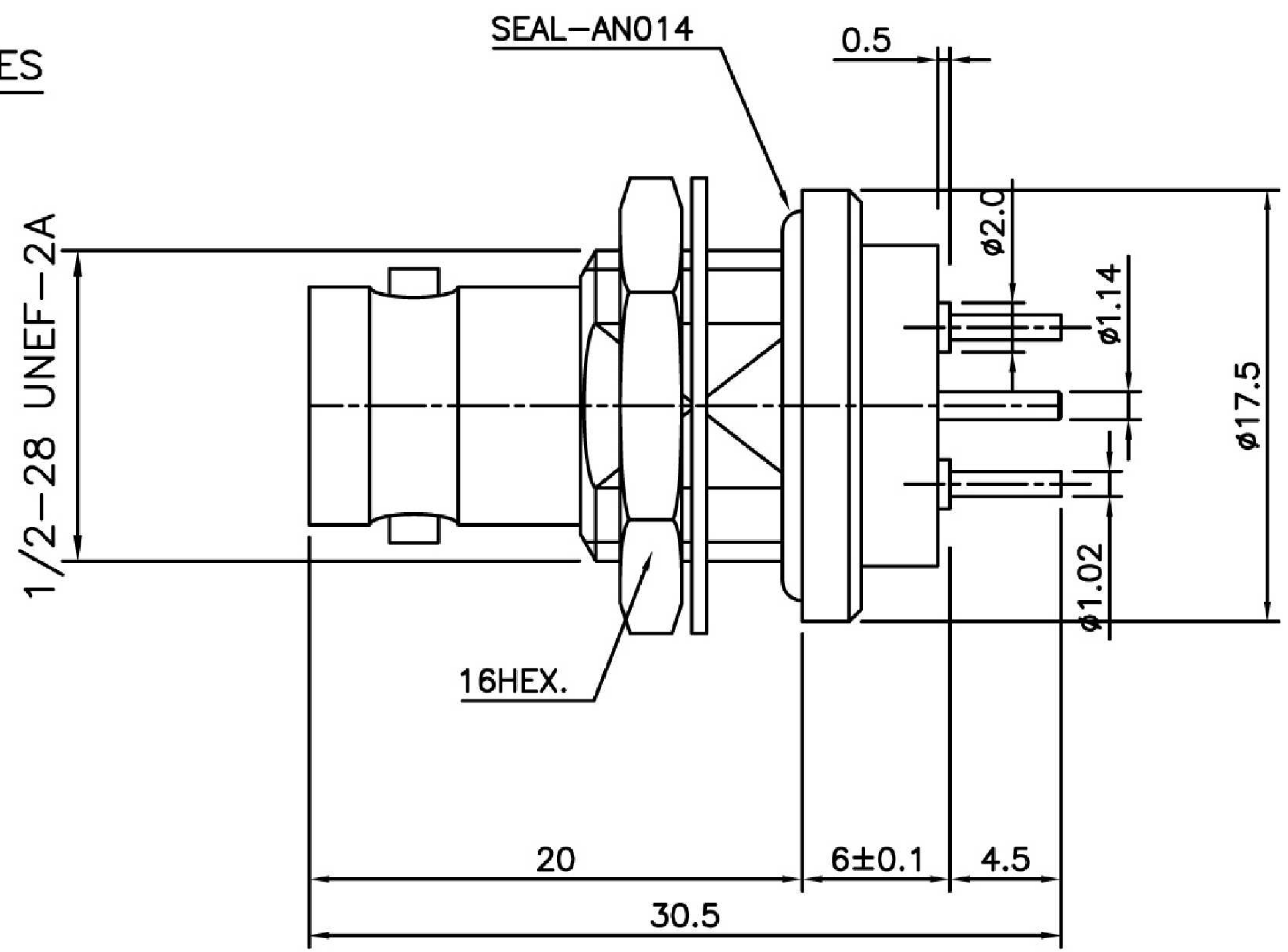
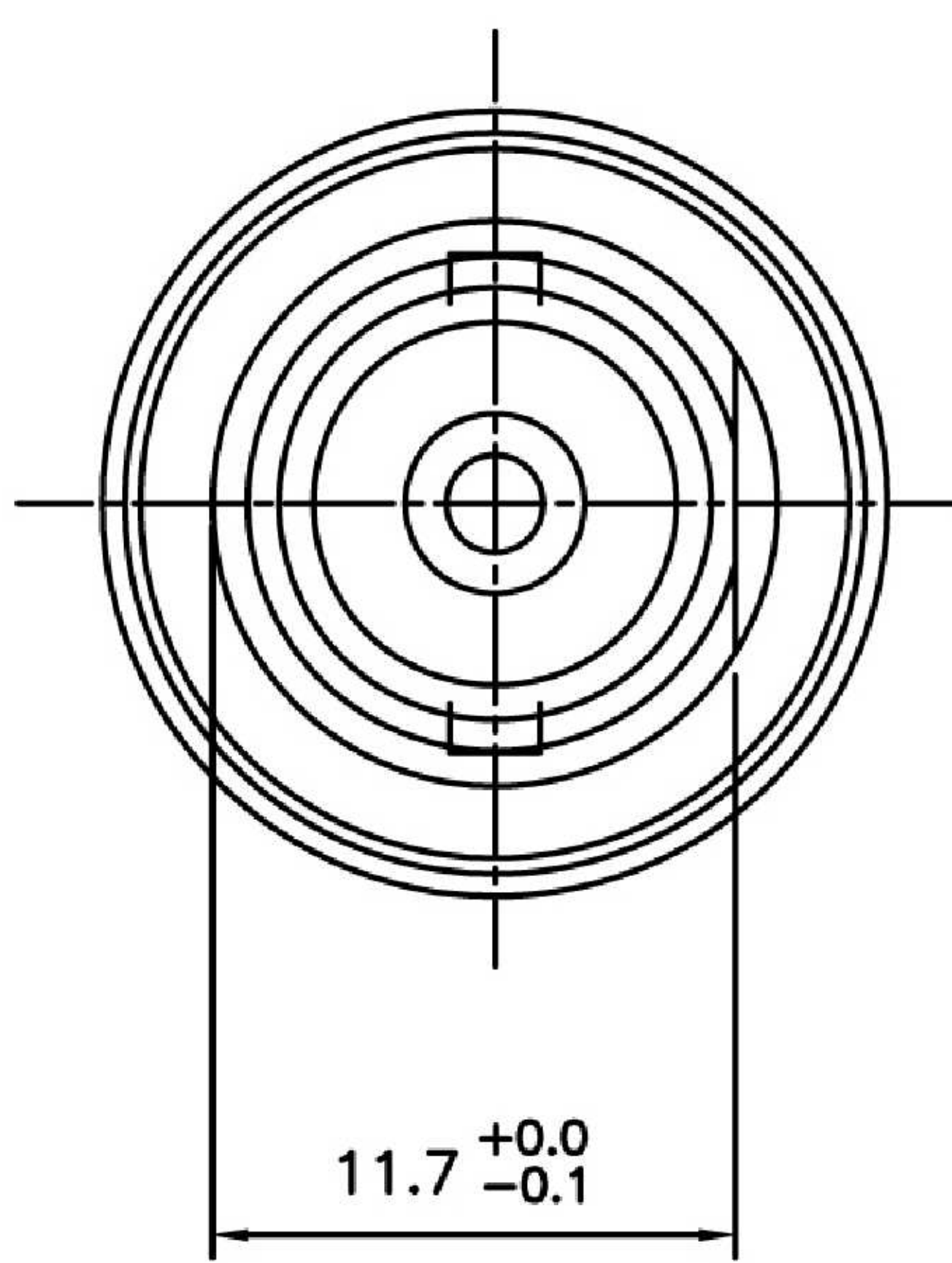


MOUNTING HOLES



Product NO.	Renhotec-610-0225			
REV	DESCRIPTION	DWN	DATE	APPROVEN
A	First issue	Mr. Wang	2017/2/23	John kine

Connector parts	Materials	Finish
Body,Nut	Brass	Nickel Plated
Center contact	Be-Cu	Gold Plated
Insulator	PTFE	-
PCB LEGS	Brass	TIN Plated
O-RING	Silicone rubber	-

NOTE:		Tolerance	0-6 ±0.10 6-30 ±0.20 30-120 ±0.30 Angular ±2°
DRAWN	Zelin. Zhang	2017/2/23	View
CHECKED			UNIT
APPROVALS	John Kine	2017/2/23	SCALE



**RENHOTEC GROUP**

Name: BNC Bulkhead Jack PCB Mount Receptacle With Seal			
SIZE	Product NO.	RHT-610-0225	REV
A			B
DateTime	CAD FILE	SHEET: 1 OF 1	
2017/2/23	D/company drawings/BD		