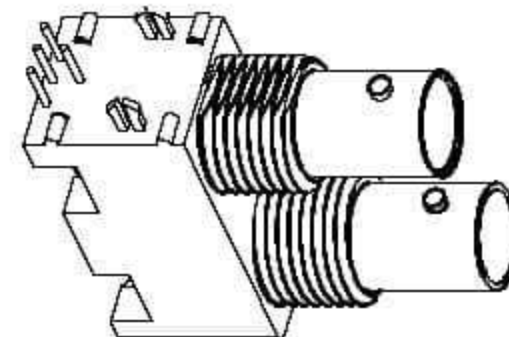
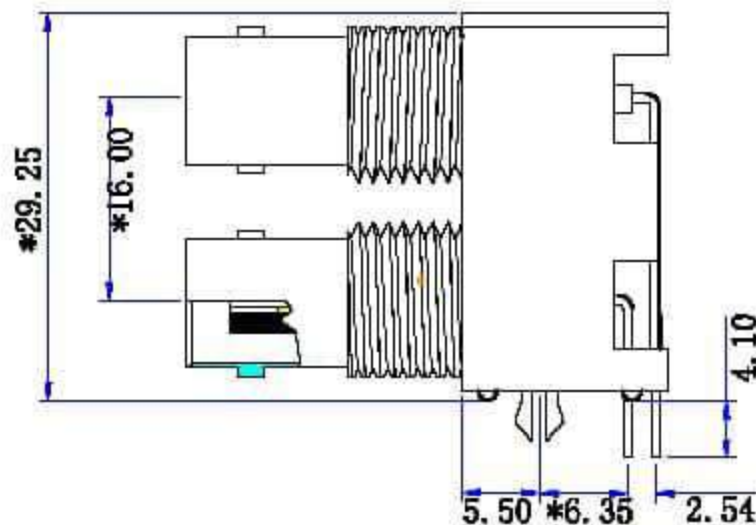
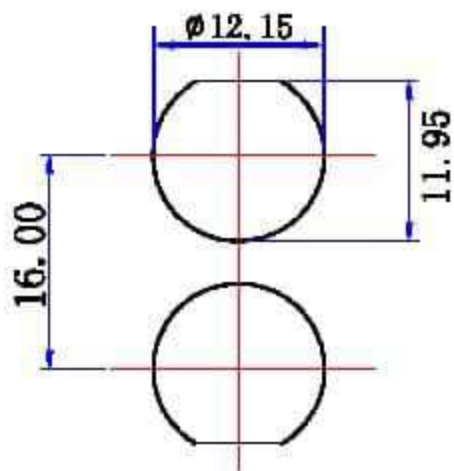




Product NO.	Renhotec-610-0049			
REV	DESCRIPTION	DWN	DATE	APPROVEN
A	First issue	Mr. Wang	2016/3/08	John Kline



**Specification:**

Impedance:50. Ohms

VSWR:1.3MAX

Frequency range:DC~4G

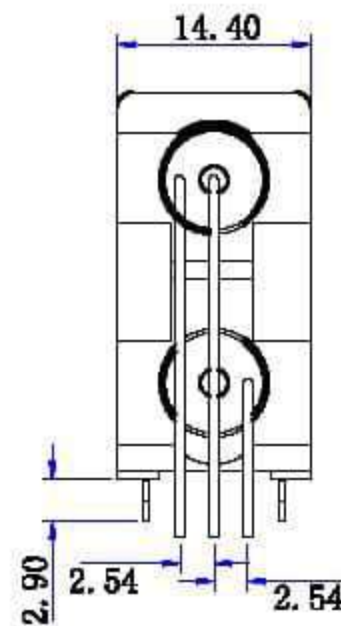
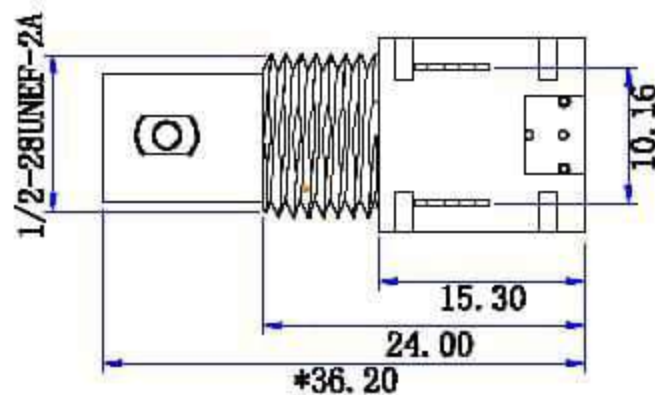
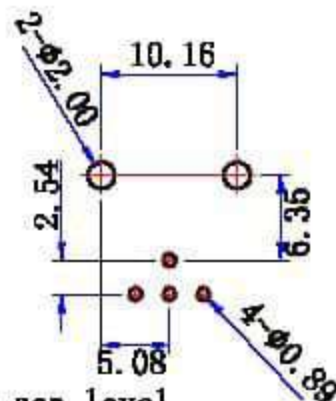
Working Voltage:500V rms @ sea level

Insulation resistance:5000 Ohms min

Temperature range:-55℃ TO +155℃

Relative temperature:≤95%(40° C±2° C)

Drawings products are in line with ROHS standards .



1	Body	Zinc	NI:80-120u"
2	Center contact	Brass	All:1u"
3	Lead	Iron	All:1u"
4	Fixed footrest	Iron	NI:80-120u"
5	Insulator	PCM	White
6	Fixed mount	ABS	White
7	Washer	Brass	NI:80-120u"
8	Hex nut	Brass	NI:80-120u"
9			
10			
NO	Component Number	Material	Finish

NOTE:

DRAWN	2016/03/08
Zelin. Zhang	
CHECKED	
APPROVALS	7/03.2016
John Kline	

Tolerance	0-6 ±0.10
	6-30 ±0.20
	30-120 ±0.30
	Angular ±2°
View	
UNIT	MM
SCALE	1:1



Name: BNCJACK CONNECTOR			
SIZE	Product NO. RENHOTEC-610-0049	REV	
A			
Date/Time	CAD FILE	SHEET: 1 OF 1	
2016/3/08	D/company drawings/RD		